

Stainless Steel- Clamping lever kits

adjustable, for connector clamps

SPECIFICATION

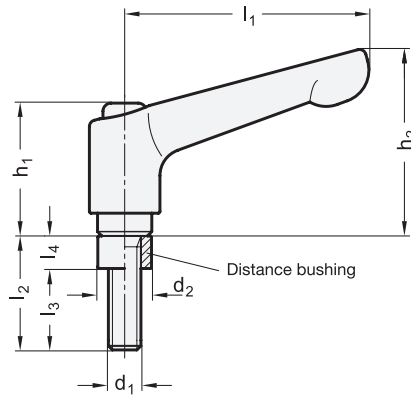
Handle
Stainless Steel precision casting
- AISI CF-8
- matt shot-blasted
Threaded stud / Distance bushing
Stainless Steel AISI 303

INFORMATION

The clamping kits GN 911.3 replace the hexagon socket screws DIN 912 of the connector clamps.
The table of dimensions of the connector clamps shows the corresponding clamping kits for each clamping thread.
The distance bushing is included part of the order.

TECHNICAL INFORMATION

- Stainless Steel characteristics (see page A26)



GN 911.3

STAINLESS STEEL

Description	d1	l2	d2	l1	l3	l4	h1	h2	⚖️
GN 911.3-M6-22	M 6	22	9.9	45	19	3	24.5	35	50

