

## Hand knobs

Cast iron / Threaded bolt, Steel

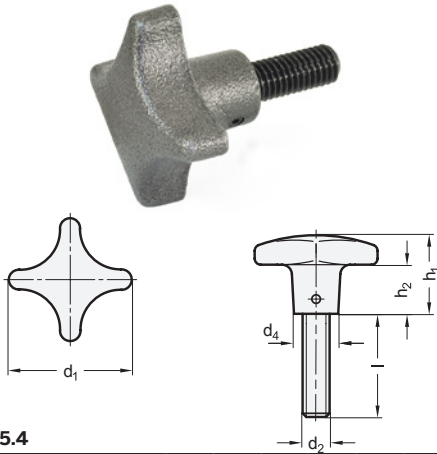
### SPECIFICATION

#### Type

Type **SG**: Hand knobs DIN 6335 cast iron (GG) (see page 234)  
The threaded bolt is screwed in and secured by a cross-dowel.

### INFORMATION

Should clamping with the bush face be necessary, then it is recommendable to use this hand knobs.



GN 6335.4

Description	d1	d2	l ≈	d4	h1	h2	Δ
GN 6335.4-SG-32-M6-16	32	M 6	16	12	20	9	34
GN 6335.4-SG-32-M6-20	32	M 6	20	12	20	9	35
GN 6335.4-SG-32-M6-25	32	M 6	25	12	20	9	36
GN 6335.4-SG-32-M6-30	32	M 6	30	12	20	9	37
GN 6335.4-SG-40-M8-40	40	M 8	35	12	20	9	38
GN 6335.4-SG-32-M6-45	32	M 6	45	12	20	9	40
GN 6335.4-SG-40-M8-15	40	M 8	15	14	25	13	58
GN 6335.4-SG-40-M8-20	40	M 8	20	14	25	13	60
GN 6335.4-SG-40-M8-25	40	M 8	25	14	25	13	61
GN 6335.4-SG-40-M8-30	40	M 8	30	14	25	13	63
GN 6335.4-SG-50-M10-55	50	M 10	55	18	32	18	139
GN 6335.4-SG-63-M12-30	63	M 12	30	20	40	23	206
GN 6335.4-SG-63-M12-35	63	M 12	35	20	40	23	208
GN 6335.4-SG-63-M12-40	63	M 12	40	20	40	23	211
GN 6335.4-SG-63-M12-50	63	M 12	50	20	40	23	218
GN 6335.4-SG-63-M12-60	63	M 12	60	20	40	23	225
GN 6335.4-SG-80-M16-30	80	M 16	30	25	50	28	4106
GN 6335.4-SG-80-M16-40	80	M 16	40	25	50	28	430
GN 6335.4-SG-80-M16-50	80	M 16	50	25	50	28	452
GN 6335.4-SG-80-M16-60	80	M 16	60	25	50	28	452
GN 6335.4-SG-80-M16-70	80	M 16	70	25	50	28	478

## Star knobs

Cast iron / Threaded bolt, Steel

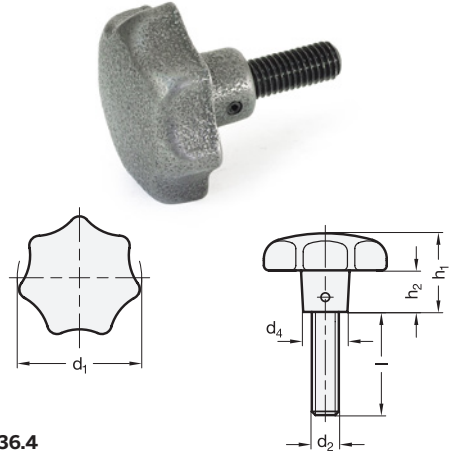
### SPECIFICATION

#### Type

Type **SG**: Star knob DIN 6336 cast iron (GG) (see page 238)  
Star knob details and dimensions see: DIN 6336-GG  
The threaded bolt is screwed in and secured by a cross-dowel.

### INFORMATION

Should clamping with the bush face be necessary, then it is recommendable to use this star knob.



GN 6336.4

Description	d1	d2	l ≈	d4	h1	h2	Δ
GN 6336.4-SG-32-M6-16	32	M 6	16	12	20	9	53
GN 6336.4-SG-32-M6-20	32	M 6	20	12	20	9	54
GN 6336.4-SG-32-M6-25	32	M 6	25	12	20	9	55
GN 6336.4-SG-32-M6-30	32	M 6	30	12	20	9	56
GN 6336.4-SG-32-M6-35	32	M 6	35	12	20	9	57
GN 6336.4-SG-32-M6-45	32	M 6	45	12	20	9	59
GN 6336.4-SG-40-M8-16	40	M 8	16	14	25	12	79
GN 6336.4-SG-40-M8-20	40	M 8	20	14	25	12	81
GN 6336.4-SG-40-M8-25	40	M 8	25	14	25	12	82
GN 6336.4-SG-40-M8-30	40	M 8	30	14	25	12	84
GN 6336.4-SG-40-M8-40	40	M 8	40	14	25	12	87
GN 6336.4-SG-40-M8-55	40	M 8	55	14	25	12	91
GN 6336.4-SG-50-M10-25	50	M 10	25	18	32	15	167
GN 6336.4-SG-50-M10-30	50	M 10	30	18	32	15	169
GN 6336.4-SG-50-M10-35	50	M 10	35	18	32	15	172
GN 6336.4-SG-50-M10-45	50	M 10	45	18	32	15	177
GN 6336.4-SG-50-M10-55	50	M 10	55	18	32	15	182
GN 6336.4-SG-63-M12-30	63	M 12	30	20	40	19	288
GN 6336.4-SG-63-M12-35	63	M 12	35	20	40	19	292
GN 6336.4-SG-63-M12-40	63	M 12	40	20	40	19	295
GN 6336.4-SG-63-M12-50	63	M 12	50	20	40	19	302
GN 6336.4-SG-63-M12-60	63	M 12	60	20	40	19	309
GN 6336.4-SG-80-M16-30	80	M 16	30	25	50	23	618
GN 6336.4-SG-80-M16-40	80	M 16	40	25	50	23	626
GN 6336.4-SG-80-M16-50	80	M 16	50	25	50	23	630
GN 6336.4-SG-80-M16-60	80	M 16	60	25	50	23	650
GN 6336.4-SG-80-M16-70	80	M 16	70	25	50	23	670