

## Retractable Handles

Retractable Mechanism Steel,  
Locked in Operating Position

### SPECIFICATION

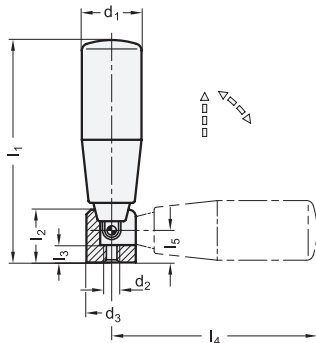
Handle  
Plastic **KU**  
Duroplast (Phenolic PF)  
- temperature resistant up to 110 °C  
- black, shiny finish  
- revolving  
Retractable mechanism  
Steel, blackened

### INFORMATION

Retractable handles with hold in both positions GN 598.3 are suitable when the handle must be withdrawn during automatic operations.

### TECHNICAL INFORMATION

- Plastic characteristics (see page A2)



### GN 598.3

Description	d1	d2	d3	l1 ≈	l2	l3	l4 ≈	l5	
GN 598.3-KU-18	18	M 5	16	57	15	5	52	9.5	50
GN 598.3-KU-21	21	M 5	16	67	15	5	62	9.5	58
GN 598.3-KU-22	22	M 5	16	73	15	5	68	9.5	63
GN 598.3-KU-23	23	M 6	20	87	19.5	6	80	10.5	106
GN 598.3-KU-26	26	M 6	20	102	19.5	6	95	10.5	130
GN 598.3-KU-28	28	M 8	26	118	26	10	106	16	230

## Retractable Handles

Retractable Mechanism Stainless Steel,  
Locked in Operating Position

### SPECIFICATION

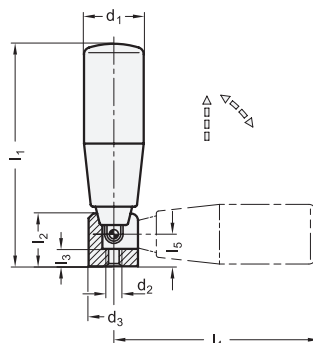
Handle  
Plastic **KU**  
Duroplast (Phenolic PF)  
- temperature resistant up to 110 °C  
- black, shiny finish  
- revolving  
Retractable mechanism  
Stainless Steel  
- Stud AISI 303  
- Flat base Sintered Steel 316L

### INFORMATION

Retractable handles GN 598.5 are suitable when the handle must be withdrawn during automatic operations.

### TECHNICAL INFORMATION

- Plastic characteristics (see page A2)  
- Stainless Steel characteristics (see page A26)



### GN 598.5

**STAINLESS STEEL**

Description	d1	d2	d3	l1 ≈	l2	l3	l4 ≈	l5	
GN 598.5-KU-23	23	M 6	20	87	19.5	6	80	10.5	102
GN 598.5-KU-26	26	M 6	20	102	19.5	6	95	10.5	134
GN 598.5-KU-28	28	M 8	26	118	26	10	106	16	214

