

Knobs

SPECIFICATION

Types

- Type **A**: without knurl
- Type **B**: with knurl

Steel
blackened

INFORMATION

Knobs GN 676.1 are used in applications where a push or pull movement is required. Their concave top gives a more comfortable thumb grip.

The knurled model (Type B) can be used as an attractively shaped knurled knob with a threaded blind hole.

Stainless Steel-Knobs

SPECIFICATION

Types

- Type **A**: without knurl
- Type **B**: with knurl

Stainless Steel
AISI 303
matt shot-blasted

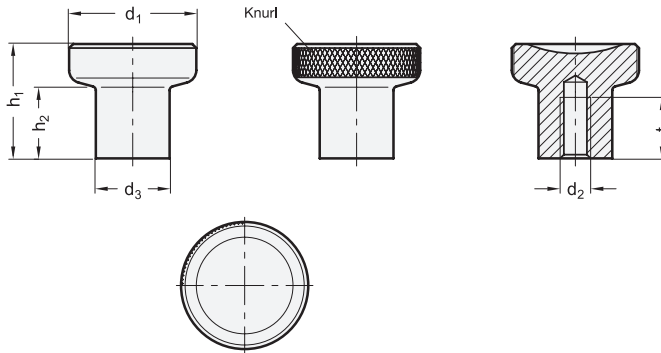
INFORMATION

Knobs GN 676.5 are used in applications where a push or pull movement is required. Their concave top gives a more comfortable thumb grip.

The knurled model (Type B) can be used as an attractively shaped knurled knob with a threaded blind hole.

TECHNICAL INFORMATION

- Stainless Steel characteristics (see page A26)



GN 676.1

Description	d1	d2	d3	h1	h2	t min.	
GN 676.1-21-M4-A	21	M 4	12.5	18	10.5	10	26
GN 676.1-21-M5-A	21	M 5	12.5	18	10.5	10	26
GN 676.1-25-M6-A	25	M 6	14.5	22.5	14	12	42
GN 676.1-25-M8-A	25	M 8	14.5	22.5	14	12	42
GN 676.1-31-M8-A	31	M 8	18.5	27	17	15	75
GN 676.1-31-M10-A	31	M 10	18.5	27	17	17	75
GN 676.1-21-M4-B	21	M 4	12.5	18	10.5	10	20
GN 676.1-21-M5-B	21	M 5	12.5	18	10.5	10	20
GN 676.1-25-M6-B	25	M 6	14.5	22.5	14	12	40
GN 676.1-25-M8-B	25	M 8	14.5	22.5	14	12	40
GN 676.1-31-M8-B	31	M 8	18.5	27	17	15	75
GN 676.1-31-M10-B	31	M 10	18.5	27	17	17	75

GN 676.5

STAINLESS STEEL

Description	d1	d2	d3	h1	h2	t min.	
GN 676.5-21-M4-A	21	M 4	12.5	18	10.5	10	26
GN 676.5-21-M5-A	21	M 5	12.5	18	10.5	10	26
GN 676.5-25-M6-A	25	M 6	14.5	22.5	14	12	42
GN 676.5-25-M8-A	25	M 8	14.5	22.5	14	12	42
GN 676.5-31-M8-A	31	M 8	18.5	27	17	15	80
GN 676.5-31-M10-A	31	M 10	18.5	27	17	17	75
GN 676.5-21-M4-B	21	M 4	12.5	18	10.5	10	26
GN 676.5-21-M5-B	21	M 5	12.5	18	10.5	10	20
GN 676.5-25-M6-B	25	M 6	14.5	22.5	14	12	40
GN 676.5-25-M8-B	25	M 8	14.5	22.5	14	12	40
GN 676.5-31-M8-B	31	M 8	18.5	27	17	15	79
GN 676.5-31-M10-B	31	M 10	18.5	27	17	17	79