

SPECIAL EXECUTIONS ON REQUEST

- Special readings after one revolution.
- Case in different colours.
- Completely sealed digital position indicators with IP 67 protection class, see table EN 60529 (on page A23) obtained by means of a brass bushing with double seal ring inside the rear cavity of the base.

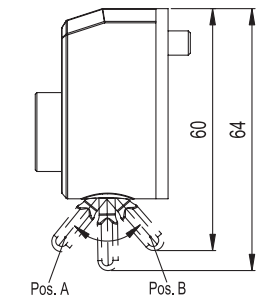
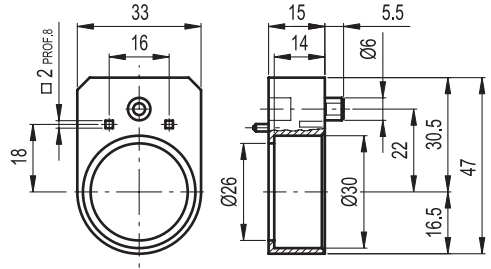
LB - LOCKING DEVICE

The DD51-LB position indicators are designed to lock the spindle on which they are mounted to avoid the risk of accidental adjustment alterations due to vibrations. To lock or unlock the spindle rotation, simply move the lever, in pos. A equivalent to unlocked spindle, in pos. B equivalent to locked spindle.

Following repeated locking cycles, the special device is highly wear resistant and functions perfectly over time.

To order the indicator with spindle locking add the -LB index after the code and description (e.g. CE.84101-LB DD51-AN-00.50-D-C3-LB).

- **BS51:** glass-fibre polyamide based (PA) technopolymer spacer plate (code CE.85900).



DD51-LB - with locking device

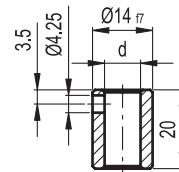
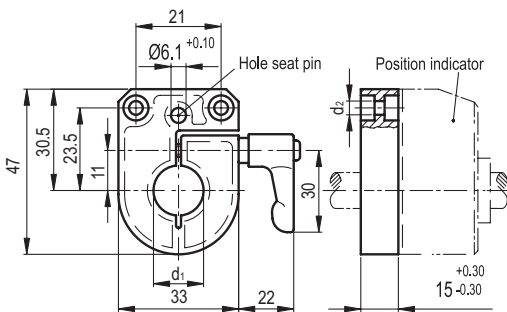
- **MD51** (see page 730): polyamide based (PA) technopolymer fluted grip control knob.



ACCESSORIES ON REQUEST (TO BE ORDERED SEPARATELY)

- **GN 954.6:** zinc die-cast bases for spindle locking, epoxy resin coating, black colour, matte finish (see table). Type GN 302 adjustable handle. GN 954.6 locking bases allow an easy and quick locking of the spindles after their positioning. They are equipped with a Ø 6.1 mm to fit the referring pin of the indicator. They can be assembled with the handle either on the right or on the left and can be fitted to the machine by means of two M4 cylindrical head screws (not included in the supply).

- **RB51:** black-oxide steel reduction sleeves.
- **RB51-SST:** AISI 304 stainless steel reduction sleeves.



RB51

Code	Description	dH7
CE.85940	RB51-6	6
CE.85950	RB51-8	8
CE.85955	RB51-10	10
CE.85960	RB51-12	12

RB51-SST

STAINLESS STEEL

Code	Description	dH7
CE.95941	RB51-6-SST-304	6
CE.95951	RB51-8-SST-304	8
CE.95956	RB51-10-SST-304	10
CE.95961	RB51-12-SST-304	12

Description	d1 +0.06/+0.02	d2	⚖
GN 954.6-33-B8	B 8	4.5	112
GN 954.6-33-B10	B 10	4.5	109
GN 954.6-33-B12	B 12	4.5	107
GN 954.6-33-B14	B 14	4.5	102

1
2
3
4
5
6
7
8
9
10
11
12
13
14
15
16
17
18
7
Rotary controls