

Stainless Steel- Retaining cables

with key rings or one key ring and one tab / with tabs or loops

SPECIFICATION

Types

- Type **A**: with 2 key rings
- Type **B**: with tab and key ring
- Type **C**: with 2 tabs
- Type **D**: with 2 loops
- Type **E**: with tab and loop

Retaining cable
Stainless Steel AISI 304
coated with clear plastic (PVC)

transparent **TR**

Tab

Stainless Steel AISI 304
blank

Key ring

Stainless Steel AISI 301
blank, ground

Pressing sleeves

Aluminium

blank

black **SW**

Tab

Stainless Steel AISI 304

zinc plated, black passivated

Key ring

Stainless Steel AISI 301

zinc plated, black passivated

Pressing sleeves

Aluminium

anodized, black

Suitable for ball lock pins and locking pins with axial lock (see pages 870):

* GN 113.1, GN 113.3, GN 113.4, GN 113.7, GN 113.8, GN 113.9, GN 113.10,
GN 214.2, GN 214.3, GN 214.6 for pins $\varnothing 5$, $\varnothing 6$, $\varnothing 8$

and

* GN 113.5, GN 113.6, GN 114.2, GN 114.3, GN 114.6, GN 124.1, GN 124.2 for
all pins

** GN 113.1, GN 113.3, GN 113.4, GN 113.7, GN 113.8, GN 113.9, GN 113.10,
GN 214.2, GN 214.3, GN 214.6 for pins $\varnothing 10$, $\varnothing 12$, $\varnothing 16$, $\varnothing 20$, $\varnothing 25$



INFORMATION

Stainless Steel-Retaining cables GN 111.2 are available in 5 different types and thus, can be used for numerous different applications, e.g. a securing device and as a connection and fastening cables.

The black design is visually discreet and is also used in situations where the reflections on the surface are to be minimized.

The key rings are supplied fixed to the Stainless Steel-Retaining cable. In type A, both rings have the same diameter d_1 .

In all types, the cable loops are affixed in parallel and reversed laterally, which is not entirely taken into account in the simplified drawing. The details on load-bearing capacity are guide values given without warranty.

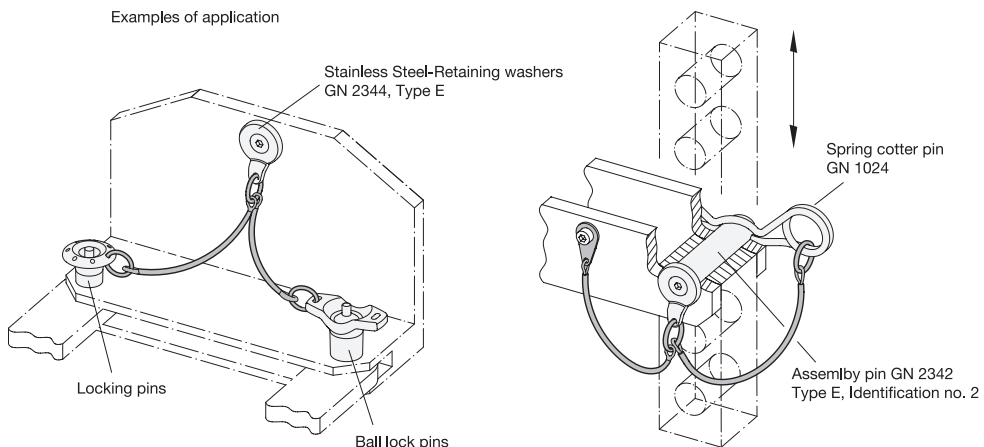
TECHNICAL INFORMATION

- Stainless Steel characteristics (see page A26)

ACCESSORY

- Stainless Steel-Key rings GN 111.3(see page 903)

Examples of application



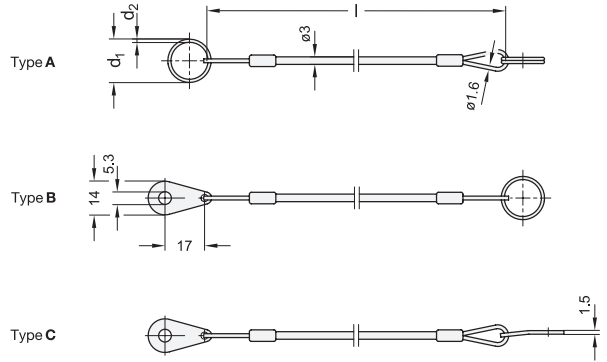
Stainless Steel-Retaining washers
GN 2344, Type E

Locking pins

Ball lock pins

Spring cotter pin
GN 1024

Assembly pin GN 2342
Type E, Identification no. 2

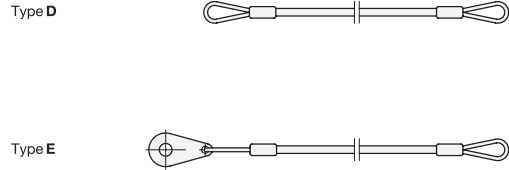


* Complete with Color of the Stainless Steel-Retaining cables

TR SW
transparent black

GN 111.2-A **STAINLESS STEEL**

Description	l	d1	d2	Static load in N \approx with key ring	Static load in N \approx without key ring	⚖
GN 111.2-150-14-A-*	150	14*	1	50	1800	5
GN 111.2-150-18-A-*	150	18**	1.3	90	1800	7
GN 111.2-150-24-A-*	150	24	1.5	100	1800	8
GN 111.2-150-30-A-*	150	30	1.8	120	1800	12
GN 111.2-200-14-A-*	200	14	1	50	1800	6
GN 111.2-200-18-A-*	200	18	1.3	90	1800	8
GN 111.2-200-24-A-*	200	24	1.5	100	1800	9
GN 111.2-200-30-A-*	200	30	1.8	120	1800	11
GN 111.2-320-14-A-*	320	14*	1	50	1800	8
GN 111.2-320-18-A-*	320	18**	1.3	90	1800	9
GN 111.2-320-24-A-*	320	24	1.5	100	1800	11
GN 111.2-320-30-A-*	320	30	1.8	120	1800	14
GN 111.2-500-14-A-*	500	14*	1	50	1800	13
GN 111.2-500-18-A-*	500	18**	1.3	90	1800	12
GN 111.2-500-24-A-*	500	24	1.5	100	1800	15
GN 111.2-500-30-A-*	500	30	1.8	120	1800	17



Type D



Type E

* Complete with Color of the Stainless Steel-Retaining cables

TR SW
transparent black

GN 111.2-B **STAINLESS STEEL**

Description	l	d1	d2	Static load in N \approx with key ring	Static load in N \approx without key ring	⚖
GN 111.2-150-14-B-*	150	14*	1	50	1800	7
GN 111.2-150-18-B-*	150	18**	1.3	90	1800	8
GN 111.2-150-24-B-*	150	24	1.5	100	1800	9
GN 111.2-150-30-B-*	150	30	1.8	120	1800	10
GN 111.2-200-14-B-*	200	14*	1	50	1800	7
GN 111.2-200-18-B-*	200	18**	1.3	90	1800	10
GN 111.2-200-24-B-*	200	24	1.5	100	1800	11
GN 111.2-200-30-B-*	200	30	1.8	120	1800	12
GN 111.2-320-14-B-*	320	14*	1	50	1800	10
GN 111.2-320-18-B-*	320	18**	1.3	90	1800	12
GN 111.2-320-24-B-*	320	24	1.5	100	1800	14
GN 111.2-320-30-B-*	320	30	1.8	120	1800	15
GN 111.2-500-14-B-*	500	14*	1	50	1800	12
GN 111.2-500-18-B-*	500	18**	1.3	90	1800	15
GN 111.2-500-24-B-*	500	24	1.5	100	1800	16
GN 111.2-500-30-B-*	500	30	1.8	120	1800	17

GN 111.2-C **STAINLESS STEEL**

Description	l	Static load in N \approx without key ring	⚖
GN 111.2-200-C-*	200	1800	11
GN 111.2-320-C-*	320	1800	12
GN 111.2-500-C-*	500	1800	15

GN 111.2-D **STAINLESS STEEL**

Description	l	Static load in N \approx without key ring	⚖
GN 111.2-150-D-*	150	1800	4
GN 111.2-200-D-*	200	1800	5
GN 111.2-320-D-*	320	1800	7
GN 111.2-500-D-*	500	1800	10

GN 111.2-E **STAINLESS STEEL**

Description	l	Static load in N \approx without key ring	⚖
GN 111.2-150-E-*	150	1800	7
GN 111.2-200-E-*	200	1800	8
GN 111.2-320-E-*	320	1800	10
GN 111.2-500-E-*	500	1800	13



8

Indexing elements