

## Stainless Steel-Ball lock pins

with L-Handle, plunger material no. AISI 303

### SPECIFICATION

Pin  
Stainless Steel AISI 303

L-Handle  
Plastic (Polyamide PA), black  
temperature resistant up to 80 °C

Balls  
Stainless Steel AISI 420C

Spring  
Stainless Steel, German Material No. 14565

### INFORMATION

Stainless Steel-Ball lock pins GN 113.11 are used for quick fixing, connecting and locking of various parts and workpieces. A typical application is locating pins which have often to be removed and installed again.

By pressing the spring loaded push button both balls are unlocked and by releasing it, the balls are locked again.

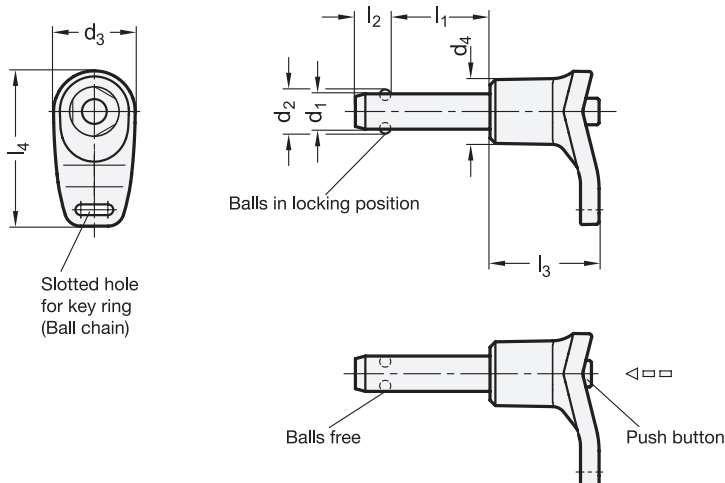
- Range of lock pins (see page 868)

### ACCESSORY

- Ball chains GN 111 (see page 904)
- Stainless Steel-Ball chains GN 111.5 (see page 905)
- Retaining cables GN 111.2 (see page 906)
- Spiral retaining cables GN 111.4 (see page 908)


### TECHNICAL INFORMATION

- ISO-Fundamental Tolerances (see page A21)
- Stainless Steel characteristics (see page A26)



**GN 113.11**

**STAINLESS STEEL**

Description	d1 -0.04/-0.08	l1 +0.6	d2	d3	d4	l2 ±1	l3	l4	Locating bore H11	Load capacity F in kN ≈ double sided shearing resistance acc. DIN 50141 (breaking strength)	
GN 113.11-5-10	5	10	5.5	17.5	13.5	6	26.5	33	5	14	14
GN 113.11-5-15	5	15	5.5	17.5	13.5	6	26.5	33	5	14	15
GN 113.11-5-20	5	20	5.5	17.5	13.5	6	26.5	33	5	14	17
GN 113.11-5-25	5	25	5.5	17.5	13.5	6	26.5	33	5	14	18
GN 113.11-5-30	5	30	5.5	17.5	13.5	6	26.5	33	5	14	20
GN 113.11-5-35	5	35	5.5	17.5	13.5	6	26.5	33	5	14	21
GN 113.11-5-40	5	40	5.5	17.5	13.5	6	26.5	33	5	14	23
GN 113.11-5-45	5	45	5.5	17.5	13.5	6	26.5	33	5	14	24
GN 113.11-5-50	5	50	5.5	17.5	13.5	6	26.5	33	5	14	25
GN 113.11-5-60	5	60	5.5	17.5	13.5	6	26.5	33	5	14	26
GN 113.11-5-70	5	70	5.5	17.5	13.5	6	26.5	33	5	14	27
GN 113.11-5-80	5	80	5.5	17.5	13.5	6	26.5	33	5	14	28
GN 113.11-6-10	6	10	7	17.5	13.5	7	26.5	33	6	21	17
GN 113.11-6-15	6	15	7	17.5	13.5	7	26.5	33	6	21	18
GN 113.11-6-20	6	20	7	17.5	13.5	7	26.5	33	6	21	19
GN 113.11-6-25	6	25	7	17.5	13.5	7	26.5	33	6	21	20
GN 113.11-6-30	6	30	7	17.5	13.5	7	26.5	33	6	21	21
GN 113.11-6-35	6	35	7	17.5	13.5	7	26.5	33	6	21	22
GN 113.11-6-40	6	40	7	17.5	13.5	7	26.5	33	6	21	23
GN 113.11-6-45	6	45	7	17.5	13.5	7	26.5	33	6	21	24
GN 113.11-6-50	6	50	7	17.5	13.5	7	26.5	33	6	21	25
GN 113.11-6-60	6	60	7	17.5	13.5	7	26.5	33	6	21	26
GN 113.11-6-70	6	70	7	17.5	13.5	7	26.5	33	6	21	29
GN 113.11-6-80	6	80	7	17.5	13.5	7	26.5	33	6	21	32
GN 113.11-8-10	8	10	9.5	23	18	8.2	34	43.5	8	38	38
GN 113.11-8-15	8	15	9.5	23	18	8.2	34	43.5	8	38	40
GN 113.11-8-20	8	20	9.5	23	18	8.2	34	43.5	8	38	41
GN 113.11-8-25	8	25	9.5	23	18	8.2	34	43.5	8	38	43
GN 113.11-8-30	8	30	9.5	23	18	8.2	34	43.5	8	38	45
GN 113.11-8-35	8	35	9.5	23	18	8.2	34	43.5	8	38	47
GN 113.11-8-40	8	40	9.5	23	18	8.2	34	43.5	8	38	49
GN 113.11-8-45	8	45	9.5	23	18	8.2	34	43.5	8	38	51
GN 113.11-8-50	8	50	9.5	23	18	8.2	34	43.5	8	38	53
GN 113.11-8-60	8	60	9.5	23	18	8.2	34	43.5	8	38	54
GN 113.11-8-70	8	70	9.5	23	18	8.2	34	43.5	8	38	61
GN 113.11-8-80	8	80	9.5	23	18	8.2	34	43.5	8	38	65
GN 113.11-8-90	8	90	9.5	23	18	8.2	34	43.5	8	38	67
GN 113.11-8-100	8	100	9.5	23	18	8.2	34	43.5	8	38	72
GN 113.11-10-15	10	15	12	23	18	9.6	34	43.5	10	60	40
GN 113.11-10-20	10	20	12	23	18	9.6	34	43.5	10	60	48
GN 113.11-10-25	10	25	12	23	18	9.6	34	43.5	10	60	51
GN 113.11-10-30	10	30	12	23	18	9.6	34	43.5	10	60	54
GN 113.11-10-35	10	35	12	23	18	9.6	34	43.5	10	60	57
GN 113.11-10-40	10	40	12	23	18	9.6	34	43.5	10	60	60
GN 113.11-10-45	10	45	12	23	18	9.6	34	43.5	10	60	63
GN 113.11-10-50	10	50	12	23	18	9.6	34	43.5	10	60	64
GN 113.11-10-60	10	60	12	23	18	9.6	34	43.5	10	60	72
GN 113.11-10-70	10	70	12	23	18	9.6	34	43.5	10	60	78
GN 113.11-10-80	10	80	12	23	18	9.6	34	43.5	10	60	81
GN 113.11-10-90	10	90	12	23	18	9.6	34	43.5	10	60	90
GN 113.11-10-100	10	100	12	23	18	9.6	34	43.5	10	60	93
GN 113.11-10-110	10	110	12	23	18	9.6	34	43.5	10	60	103
GN 113.11-10-120	10	120	12	23	18	9.6	34	43.5	10	60	105



Indexing elements



Indexing elements 8

**GN 113.11**

**STAINLESS STEEL**

Description	d1 -0.04/-0.08	l1 +0.6	d2	d3	d4	l2 ±1	l3	l4	Locating bore H11	Load capacity F in kN ≈ double sided shearing resistance acc. DIN 50141 (breaking strength)	
GN 113.11-12-20	12	20	14.5	30.5	24	10.6	40.5	58	12	87	93
GN 113.11-12-25	12	25	14.5	30.5	24	10.6	40.5	58	12	87	98
GN 113.11-12-30	12	30	14.5	30.5	24	10.6	40.5	58	12	87	104
GN 113.11-12-35	12	35	14.5	30.5	24	10.6	40.5	58	12	87	107
GN 113.11-12-40	12	40	14.5	30.5	24	10.6	40.5	58	12	87	111
GN 113.11-12-45	12	45	14.5	30.5	24	10.6	40.5	58	12	87	115
GN 113.11-12-50	12	50	14.5	30.5	24	10.6	40.5	58	12	87	119
GN 113.11-12-60	12	60	14.5	30.5	24	10.6	40.5	58	12	87	128
GN 113.11-12-70	12	70	14.5	30.5	24	10.6	40.5	58	12	87	136
GN 113.11-12-80	12	80	14.5	30.5	24	10.6	40.5	58	12	87	145
GN 113.11-12-90	12	90	14.5	30.5	24	10.6	40.5	58	12	87	153
GN 113.11-12-100	12	100	14.5	30.5	24	10.6	40.5	58	12	87	161
GN 113.11-12-110	12	110	14.5	30.5	24	10.6	40.5	58	12	87	170
GN 113.11-16-30	16	30	19	30.5	24	14	40.5	58	16	155	134
GN 113.11-16-35	16	35	19	30.5	24	14	40.5	58	16	155	142
GN 113.11-16-40	16	40	19	30.5	24	14	40.5	58	16	155	150
GN 113.11-16-45	16	45	19	30.5	24	14	40.5	58	16	155	157
GN 113.11-16-50	16	50	19	30.5	24	14	40.5	58	16	155	170
GN 113.11-16-60	16	60	19	30.5	24	14	40.5	58	16	155	180
GN 113.11-16-70	16	70	19	30.5	24	14	40.5	58	16	155	196
GN 113.11-16-80	16	80	19	30.5	24	14	40.5	58	16	155	210
GN 113.11-16-90	16	90	19	30.5	24	14	40.5	58	16	155	230
GN 113.11-16-100	16	100	19	30.5	24	14	40.5	58	16	155	246
GN 113.11-16-110	16	110	19	30.5	24	14	40.5	58	16	155	262
GN 113.11-16-120	16	120	19	30.5	24	14	40.5	58	16	155	277
GN 113.11-16-130	16	130	19	30.5	24	14	40.5	58	16	155	293
GN 113.11-16-140	16	140	19	30.5	24	14	40.5	58	16	155	309
GN 113.11-16-150	16	150	19	30.5	24	14	40.5	58	16	155	324
GN 113.11-20-50	20	50	25	40.5	33	20.5	51.5	72.5	20	244	330
GN 113.11-20-60	20	60	25	40.5	33	20.5	51.5	72.5	20	244	351
GN 113.11-20-70	20	70	25	40.5	33	20.5	51.5	72.5	20	244	378
GN 113.11-20-80	20	80	25	40.5	33	20.5	51.5	72.5	20	244	395
GN 113.11-20-90	20	90	25	40.5	33	20.5	51.5	72.5	20	244	427
GN 113.11-20-100	20	100	25	40.5	33	20.5	51.5	72.5	20	244	445
GN 113.11-20-110	20	110	25	40.5	33	20.5	51.5	72.5	20	244	475
GN 113.11-20-120	20	120	25	40.5	33	20.5	51.5	72.5	20	244	494
GN 113.11-20-130	20	130	25	40.5	33	20.5	51.5	72.5	20	244	520
GN 113.11-20-140	20	140	25	40.5	33	20.5	51.5	72.5	20	244	547
GN 113.11-20-150	20	150	25	40.5	33	20.5	51.5	72.5	20	244	572
GN 113.11-25-50	25	50	30.8	40.5	33	22	51.5	72.5	25	386	428
GN 113.11-25-60	25	60	30.8	40.5	33	22	51.5	72.5	25	386	466
GN 113.11-25-70	25	70	30.8	40.5	33	22	51.5	72.5	25	386	504
GN 113.11-25-80	25	80	30.8	40.5	33	22	51.5	72.5	25	386	540
GN 113.11-25-90	25	90	30.8	40.5	33	22	51.5	72.5	25	386	581
GN 113.11-25-100	25	100	30.8	40.5	33	22	51.5	72.5	25	386	618
GN 113.11-25-110	25	110	30.8	40.5	33	22	51.5	72.5	25	386	657
GN 113.11-25-120	25	120	30.8	40.5	33	22	51.5	72.5	25	386	695
GN 113.11-25-130	25	130	30.8	40.5	33	22	51.5	72.5	25	386	733
GN 113.11-25-140	25	140	30.8	40.5	33	22	51.5	72.5	25	386	770
GN 113.11-25-150	25	150	30.8	40.5	33	22	51.5	72.5	25	386	810