

Spring elements

SPECIFICATION

Types

- Type **I**: Female thread
- Type **K**: Pointed nose
- Type **H**: Semi-spherical, Steel
- Type **P**: Prism (120°)

Identification No.

- Version **1**: standard spring load
- Version **2**: high spring load

Steel

Threaded sleeve
zinc plated, blue passivated

Spring bolt
case hardened, blackened

Identification

standard spring load:
Crescent shaped ring
phosphated (anthracite)

high spring load:
Crescent shaped ring
zinc plated, blue passivated



INFORMATION

Spring elements GN 513 are universal pressure elements used as detents, positioners or for clamping with spring pressure. The spring loaded nose can be used for a push-on or push-off operation. In addition the spring loaded nose cannot rotate.

At the pulling end the female thread will accept a pulling rod or an operating knob.

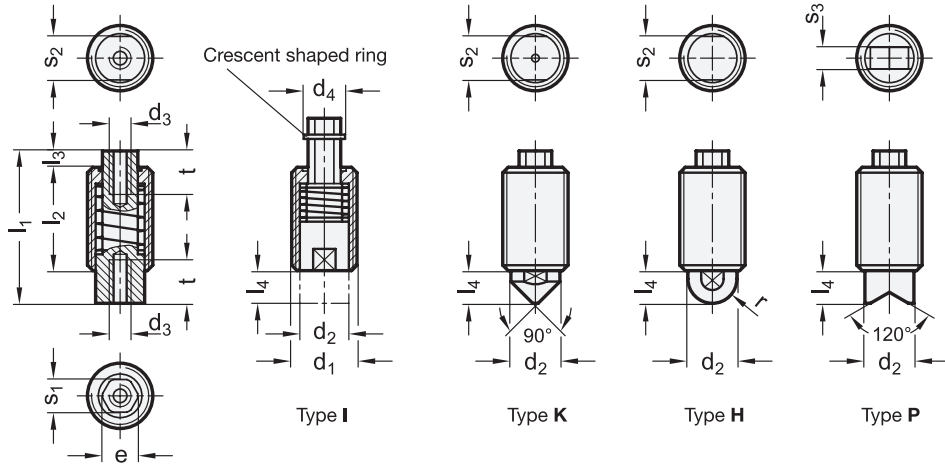
Type I with a female thread at the pushing end can be fitted with a special plunger nose.

The spring element can be screwed into a thread at the hexagon on the pulling end or the spanner flats at the pushing end of the plunger.



8

Indexing elements



GN 513

| Description | d1 | d2 | d3 | d4 | e | l1 | l2 | l3 | l4 | r | s1 | s2 | s3 | t min. | Spring load in N ≈ initial | Spring load in N ≈ end | ⚖ |
|--------------------|------------|------|-----|------|-----|----|----|----|----|-----|----|----|----|--------|----------------------------|------------------------|----|
| GN 513-M12x1,5-I-1 | M 12 x 1,5 | 9 | M 4 | 7,6 | 6,5 | 28 | 19 | 3 | 6 | - | 6 | 8 | - | 8 | 16 | 35 | 10 |
| GN 513-M16x1,5-I-1 | M 16 x 1,5 | 12 | M 5 | 8,8 | 7,8 | 38 | 27 | 3 | 8 | - | 7 | 10 | - | 10 | 25 | 71 | 31 |
| GN 513-M20x1,5-I-1 | M 20 x 1,5 | 14,5 | M 6 | 11,4 | 10 | 47 | 33 | 4 | 10 | - | 9 | 12 | - | 12 | 40 | 130 | 65 |
| GN 513-M12x1,5-P-1 | M 12 x 1,5 | 9 | M 4 | 7,6 | 6,5 | 28 | 19 | 3 | 6 | - | 6 | - | 4 | 8 | 16 | 35 | 12 |
| GN 513-M16x1,5-P-1 | M 16 x 1,5 | 12 | M 5 | 8,8 | 7,8 | 38 | 27 | 3 | 8 | - | 7 | - | 6 | 10 | 25 | 71 | 30 |
| GN 513-M20x1,5-P-1 | M 20 x 1,5 | 14,5 | M 6 | 11,4 | 10 | 47 | 33 | 4 | 10 | - | 9 | - | 8 | 12 | 40 | 130 | 64 |
| GN 513-M12x1,5-K-1 | M 12 x 1,5 | 9 | M 4 | 7,6 | 6,5 | 28 | 19 | 3 | 6 | - | 6 | 8 | - | 8 | 16 | 35 | 13 |
| GN 513-M16x1,5-K-1 | M 16 x 1,5 | 12 | M 5 | 8,8 | 7,8 | 38 | 27 | 3 | 8 | - | 7 | 10 | - | 10 | 25 | 71 | 30 |
| GN 513-M20x1,5-K-1 | M 20 x 1,5 | 14,5 | M 6 | 11,4 | 10 | 47 | 33 | 4 | 10 | - | 9 | 12 | - | 12 | 40 | 130 | 65 |
| GN 513-M12x1,5-H-1 | M 12 x 1,5 | 9 | M 4 | 7,6 | 6,5 | 28 | 19 | 3 | 6 | 4,5 | 6 | 8 | - | - | 16 | 35 | 15 |
| GN 513-M16x1,5-H-1 | M 16 x 1,5 | 12 | M 5 | 8,8 | 7,8 | 38 | 27 | 3 | 8 | 6 | 7 | 10 | - | - | 25 | 71 | 30 |
| GN 513-M20x1,5-H-1 | M 20 x 1,5 | 14,5 | M 6 | 11,4 | 10 | 47 | 33 | 4 | 10 | 7,2 | 9 | 12 | - | - | 40 | 130 | 66 |
| GN 513-M12x1,5-I-2 | M 12 x 1,5 | 9 | M 4 | 7,6 | 6,5 | 28 | 19 | 3 | 6 | - | 6 | 8 | - | 8 | 18 | 56 | 12 |
| GN 513-M16x1,5-I-2 | M 16 x 1,5 | 12 | M 5 | 8,8 | 7,8 | 38 | 27 | 3 | 8 | - | 7 | 10 | - | 10 | 45 | 125 | 31 |
| GN 513-M20x1,5-I-2 | M 20 x 1,5 | 14,5 | M 6 | 11,4 | 10 | 47 | 33 | 4 | 10 | - | 9 | 12 | - | 12 | 66 | 200 | 66 |
| GN 513-M12x1,5-P-2 | M 12 x 1,5 | 9 | M 4 | 7,6 | 6,5 | 28 | 19 | 3 | 6 | - | 6 | - | 4 | 8 | 18 | 56 | 12 |
| GN 513-M16x1,5-P-2 | M 16 x 1,5 | 12 | M 5 | 8,8 | 7,8 | 38 | 27 | 3 | 8 | - | 7 | - | 6 | 10 | 45 | 125 | 30 |
| GN 513-M20x1,5-P-2 | M 20 x 1,5 | 14,5 | M 6 | 11,4 | 10 | 47 | 33 | 4 | 10 | - | 9 | - | 8 | 12 | 66 | 200 | 65 |
| GN 513-M12x1,5-K-2 | M 12 x 1,5 | 9 | M 4 | 7,6 | 6,5 | 28 | 19 | 3 | 6 | - | 6 | 8 | - | 8 | 18 | 56 | 12 |
| GN 513-M16x1,5-K-2 | M 16 x 1,5 | 12 | M 5 | 8,8 | 7,8 | 38 | 27 | 3 | 8 | - | 7 | 10 | - | 10 | 45 | 125 | 30 |
| GN 513-M20x1,5-K-2 | M 20 x 1,5 | 14,5 | M 6 | 11,4 | 10 | 47 | 33 | 4 | 10 | - | 9 | 12 | - | 12 | 66 | 200 | 64 |
| GN 513-M12x1,5-H-2 | M 12 x 1,5 | 9 | M 4 | 7,6 | 6,5 | 28 | 19 | 3 | 6 | 4,5 | 6 | 8 | - | - | 18 | 56 | 10 |
| GN 513-M16x1,5-H-2 | M 16 x 1,5 | 12 | M 5 | 8,8 | 7,8 | 38 | 27 | 3 | 8 | 6 | 7 | 10 | - | - | 45 | 125 | 32 |
| GN 513-M20x1,5-H-2 | M 20 x 1,5 | 14,5 | M 6 | 11,4 | 10 | 47 | 33 | 4 | 10 | 7,2 | 9 | 12 | - | - | 66 | 200 | 67 |

