

Indexing plungers

Steel / Stainless Steel, with rest position

SPECIFICATION

Types

- Type **A**: without lock nut
- Type **AK**: with lock nut

Version in Steel ST

- blackened
- Pin hardened

Version in Stainless Steel AISI 303 NI

Pin chemically nickel plated

Knob

Plastic (Polyamide PA)

- black, matt
- not removable



INFORMATION

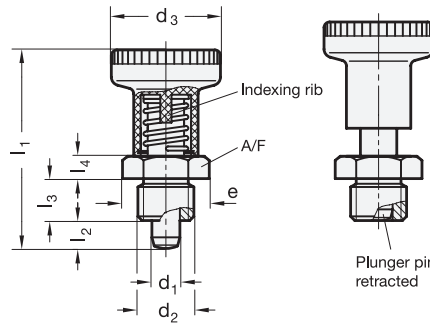
Indexing plungers GN 607.1 with rest position are used for such applications where the plunger has to stay in its retracted position. To achieve this, the knob is rotated by 90° degrees after being retracted. A notch kept the plunger in this position.

Indexing plungers GN 607.1 are distinguished for their small dimensions. The extremely low lock nuts GN 909 (see page 809) / GN 909.5 (see page 809) enlarge the mounting options. The locking tab is an integral part of the knob thus giving reliable operations at all times.

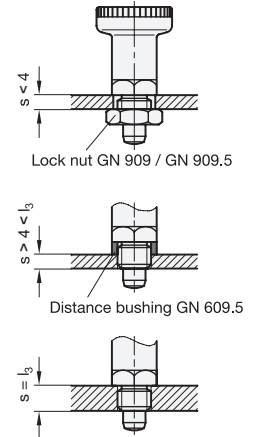
- Range of indexing plungers (see page 738)

TECHNICAL INFORMATION

- ISO-Fundamental Tolerances (see page A21)
- Stainless Steel characteristics (see page A26)
- Load characteristics (see page A2)
- Load rating information (see page A42)



Assembly examples



GN 607.1

Description	d1 Pin -0.02/-0.05 Bore H7	d2	d3	e ≈	l1	l2 ±0.5	l3 -0.15	l4	A/F	Spring load in N ≈ initial	Spring load in N ≈ end	Axial load in N	⚖
GN 607.1-6-A-ST	6	M 12 x 1.5	25	19.6	45	6	10	5	17	11	28	400	34
GN 607.1-8-A-ST	8	M 16 x 1.5	31	21.9	54	8	12	6	19	15	29	500	59
GN 607.1-6-AK-ST	6	M 12 x 1.5	25	19.6	45	6	10	5	17	11	28	400	39
GN 607.1-8-AK-ST	8	M 16 x 1.5	31	21.9	54	8	12	6	19	15	29	500	69

GN 607.1-NI

STAINLESS STEEL

Description	d1 Pin -0.02/-0.05 Bore H7	d2	d3	e ≈	l1	l2 ±0.5	l3 -0.15	l4	A/F	Spring load in N ≈ initial	Spring load in N ≈ end	Axial load in N	⚖
GN 607.1-6-A-NI	6	M 12 x 1.5	25	19.6	45	6	10	5	17	9	25	400	34
GN 607.1-8-A-NI	8	M 16 x 1.5	31	21.9	54	8	12	6	19	13	26	500	50
GN 607.1-6-AK-NI	6	M 12 x 1.5	25	19.6	45	6	10	5	17	9	25	400	42
GN 607.1-8-AK-NI	8	M 16 x 1.5	31	21.9	54	8	12	6	19	13	26	500	78

