

Spiral retaining cables

with two key rings

SPECIFICATION

Spiral retaining cable
Plastic (Polyuretan PUR)
black

Fixing loop
Copper, tin-plated

Key rings
Stainless Steel

Suitable for ball lock pins and pins with axial lock (see pages 870) :

* GN 113.1, GN 113.3, GN 113.4, GN 113.7, GN 113.8, GN 214.2, GN 214.3, GN 214.6 for pins $\varnothing 5$, $\varnothing 6$, $\varnothing 8$

and

* GN 113.5, GN 113.6, GN 114.2, GN 114.3, GN 114.6, GN 124.1, GN 124.2 for all pins

** 113.1, GN 113.3, GN 113.4, GN 113.7, GN 113.8, GN 214.2, GN 214.3, GN 214.6 for pins $\varnothing 10$, $\varnothing 12$, $\varnothing 16$, $\varnothing 20$



INFORMATION

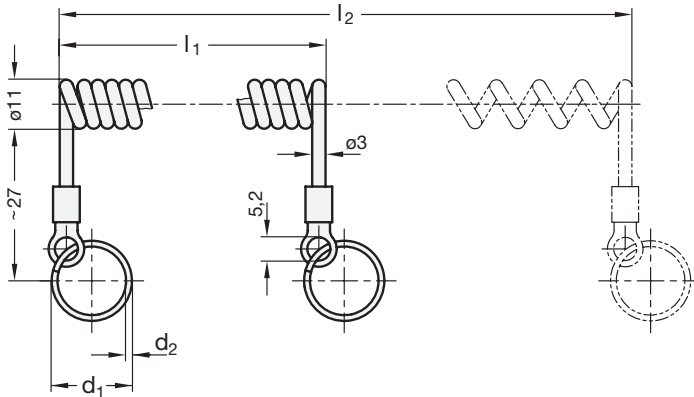
Spiral retaining cables GN 111.4 are used in connection with low weight elements e. g. ball lock pins and pins with axial lock.

They are distinguished for a large "useable length".

The key rings are supplied unmounted. Both rings have the same $\varnothing d_1$.

ACCESSORY

- Single key rings are supplied with code no. GN 111.3-d1 (see page 903)



GN 111.4

| Description | $l_1 \pm 3$ | d_1 | $l_2 \text{ max. } \approx$ | d_2 | Static load in N \approx with key ring | Static load in N \approx without key ring | |
|-----------------|-------------|-------|-----------------------------|-------|---|--|----|
| GN 111.4-50-14 | 50 | 14* | 250 | 1 | 50 | 60 | 10 |
| GN 111.4-50-18 | 50 | 18** | 250 | 1.3 | 60 | 60 | 10 |
| GN 111.4-50-24 | 50 | 24 | 250 | 1.5 | 60 | 60 | 25 |
| GN 111.4-100-14 | 100 | 14* | 500 | 1 | 50 | 60 | 11 |
| GN 111.4-100-18 | 100 | 18** | 500 | 1.3 | 60 | 60 | 17 |
| GN 111.4-100-24 | 100 | 24 | 500 | 1.5 | 60 | 60 | 12 |
| GN 111.4-200-14 | 200 | 14* | 1000 | 1 | 50 | 60 | 17 |
| GN 111.4-200-18 | 200 | 18** | 1000 | 1.3 | 60 | 60 | 17 |
| GN 111.4-200-24 | 200 | 24 | 1000 | 1.5 | 60 | 60 | 18 |