

Sheet metal hinges

Stainless Steel / Steel, square or vertically elongated

SPECIFICATION

Types

- Type **A**: without bores, for welding (only in Stainless Steel NI)
- Type **B**: with bores for cylinder head screws / lens head screws
- Type **C**: with bore, for countersunk screws

Version in Steel

Steel **ST**

- only types B and C
- zinc plated, blue passivated

Pin

Stainless Steel AISI 304
riveted

Version in Stainless Steel

Stainless Steel AISI 304 **NI**
all types

Pin

Stainless Steel AISI 304
riveted

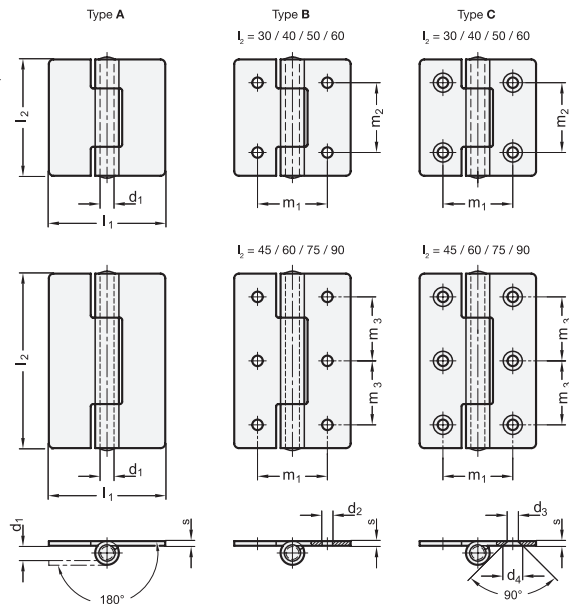


INFORMATION

Sheet metal hinges GN 136 are low-cost designs for low-load applications.

TECHNICAL INFORMATION

- Stainless Steel characteristics (see page A26)
- Load rating information of hinges (see page A40)
- List of hinge types (see page 1362)



* Complete with type index of the Sheet metal hinges

B C

* Complete with type index of the Sheet metal hinges

A B C

GN 136

Description	l1	l2	d1	d2	d3	d4	m1	m2	m3	s	Δ
GN 136-ST-30-30-*	30	30	3	3.2	4	6.4	18	18	-	1.5	22
GN 136-ST-30-45-*	30	45	3	3.2	4	6.4	18	-	16.5	1.5	22
GN 136-ST-40-40-*	40	40	4	4.2	5	8.3	25	25	-	2	33
GN 136-ST-40-60-*	40	60	4	4.2	5	8.3	25	-	22.5	2	33
GN 136-ST-50-50-*	50	50	6	5.2	5	8.3	30	30	-	2	60
GN 136-ST-50-75-*	50	75	6	5.2	5	8.3	30	-	27.5	2	60
GN 136-ST-60-60-*	60	60	6	5.2	5	8.3	36	36	-	2	82
GN 136-ST-60-90-*	60	90	6	5.2	5	8.3	36	-	33	2	82

GN 136-NI

STAINLESS STEEL

Description	l1	l2	d1	d2	d3	d4	m1	m2	m3	s	Δ
GN 136-NI-30-30-*	30	30	3	3.2	4	6.4	18	18	-	1.5	34
GN 136-NI-30-45-*	30	45	3	3.2	4	6.4	18	-	16.5	1.5	34
GN 136-NI-40-40-*	40	40	4	4.2	5	8.3	25	25	-	2	34
GN 136-NI-40-60-*	40	60	4	4.2	5	8.3	25	-	22.5	2	34
GN 136-NI-50-50-*	50	50	6	5.2	5	8.3	30	30	-	2	62
GN 136-NI-50-75-*	50	75	6	5.2	5	8.3	30	-	27.5	2	62
GN 136-NI-60-60-*	60	60	6	5.2	5	8.3	36	36	-	2	83
GN 136-NI-60-90-*	60	90	6	5.2	5	8.3	36	-	33	2	83



Sheet metal hinges

Stainless Steel / Steel, extended, horizontally elongated

SPECIFICATION

Types

- Type **A**: without bores (only in Stainless Steel NI)
- Type **B**: with through-holes
- Type **C**: with countersunk holes

Version in Steel

Steel **ST**

- only type B and C
- zinc plated, blue passivated

Pin, Stainless Steel AISI 304, riveted

Version in Stainless Steel

Stainless Steel AISI 304 **NI**

all types

Pin, Stainless Steel AISI 304, riveted



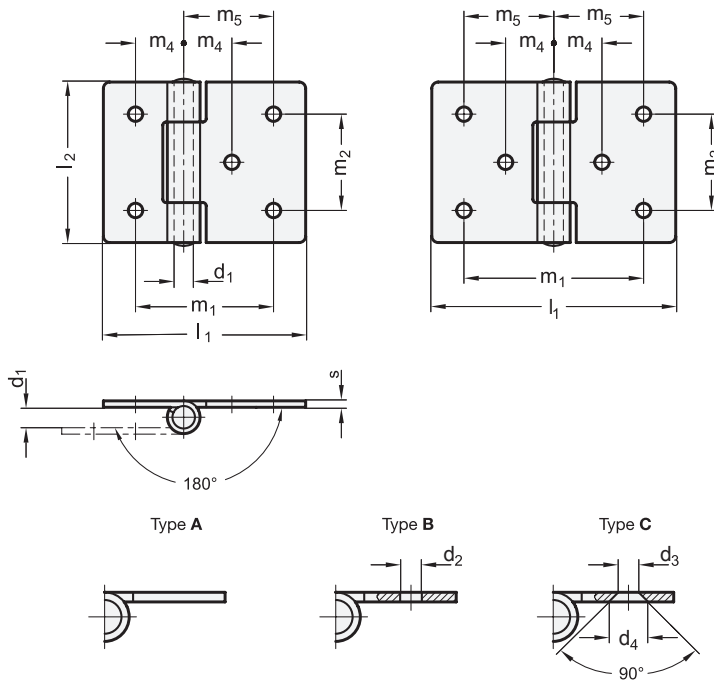
INFORMATION

GN 136 sheet metal hinges are available in many different versions and are suitable for light to medium-duty applications.

Type A can be fixed in place by welding or by using holes made by the customer.

TECHNICAL INFORMATION

- Stainless Steel characteristics (see page A26)
- Load rating information of hinges (see page A40)
- List of hinges types (see page 1362)





Hinges 12

GN 136-ST-extended

Description	l1	l2	d1	d2	d3	d4	m1	m2	m4	m5	s	⚖️
GN 136-ST-45-30-B	45	30	3	3.2	-	-	33	18	9	-	1.5	19
GN 136-ST-60-30-B	60	30	3	3.2	-	-	48	18	9	24	1.5	25
GN 136-ST-60-40-B	60	40	4	4.2	-	-	45	25	12.5	-	2	46
GN 136-ST-75-50-B	75	50	6	5.2	-	-	55	30	15	-	2	80
GN 136-ST-80-40-B	80	40	4	4.2	-	-	65	25	12.5	32.5	2	58
GN 136-ST-90-60-B	90	60	6	5.2	-	-	66	36	18	-	2	108
GN 136-ST-100-50-B	100	50	6	5.2	-	-	80	30	15	40	2	99
GN 136-ST-120-60-B	120	60	6	5.2	-	-	96	36	18	48	2	137
GN 136-ST-45-30-C	45	30	3	-	4	6.4	33	18	9	-	1.5	18
GN 136-ST-60-30-C	60	30	3	-	4	6.4	48	18	9	24	1.5	24
GN 136-ST-60-40-C	60	40	4	-	5	8.3	45	25	12.5	-	2	45
GN 136-ST-75-50-C	75	50	6	-	5	8.3	55	30	15	-	2	79
GN 136-ST-80-40-C	80	40	4	-	5	8.3	65	25	12.5	32.5	2	57
GN 136-ST-90-60-C	90	60	6	-	5	8.3	66	36	18	-	2	107
GN 136-ST-100-50-C	100	50	6	-	5	8.3	80	30	15	40	2	98
GN 136-ST-120-60-C	120	60	6	-	5	8.3	96	36	18	48	2	135

GN 136-NI-extended

STAINLESS STEEL

Description	l1	l2	d1	d2	d3	d4	m1	m2	m4	m5	s	⚖️
GN 136-NI-45-30-A	45	30	3	-	-	-	33	18	9	-	1.5	20
GN 136-NI-60-30-A	60	30	3	-	-	-	48	18	9	24	1.5	25
GN 136-NI-60-40-A	60	40	4	-	-	-	45	25	12.5	-	2	47
GN 136-NI-75-50-A	75	50	6	-	-	-	55	30	15	-	2	81
GN 136-NI-80-40-A	80	40	4	-	-	-	65	25	12.5	32.5	2	59
GN 136-NI-90-60-A	90	60	6	-	-	-	66	36	18	-	2	111
GN 136-NI-100-50-A	100	50	6	-	-	-	80	30	15	40	2	99
GN 136-NI-120-60-A	120	60	6	-	-	-	96	36	18	48	2	139
GN 136-NI-45-30-B	45	30	3	3.2	-	-	33	18	9	-	1.5	19
GN 136-NI-60-30-B	60	30	3	3.2	-	-	48	18	9	24	1.5	25
GN 136-NI-60-40-B	60	40	4	4.2	-	-	45	25	12.5	-	2	46
GN 136-NI-75-50-B	75	50	6	5.2	-	-	55	30	15	-	2	80
GN 136-NI-80-40-B	80	40	4	4.2	-	-	65	25	12.5	32.5	2	58
GN 136-NI-90-60-B	90	60	6	5.2	-	-	66	36	18	-	2	90
GN 136-NI-100-50-B	100	50	6	5.2	-	-	80	30	15	40	2	99
GN 136-NI-120-60-B	120	60	6	5.2	-	-	96	36	18	48	2	137
GN 136-NI-45-30-C	45	30	3	-	4	6.4	33	18	9	-	1.5	19
GN 136-NI-60-30-C	60	30	3	-	4	6.4	48	18	9	24	1.5	24
GN 136-NI-60-40-C	60	40	4	-	5	8.3	45	25	12.5	-	2	44
GN 136-NI-75-50-C	75	50	6	-	5	8.3	55	30	15	-	2	78
GN 136-NI-80-40-C	80	40	4	-	5	8.3	65	25	12.5	32.5	2	56
GN 136-NI-90-60-C	90	60	6	-	5	8.3	66	36	18	-	2	108
GN 136-NI-100-50-C	100	50	6	-	5	8.3	80	30	15	40	2	96
GN 136-NI-120-60-C	120	60	6	-	5	8.3	96	36	18	48	2	134