

## Off-set base plate connector clamps

Aluminium / split assembly

### SPECIFICATION

#### Identification No.

No. **2**: with 2 Stainless Steel-Clamping screws DIN 912

Aluminium

plastic coated

black, RAL 9005, textured finish **SW**

blank

matt shot-blasted **BL**

Clamping bores not machined

Socket cap screws DIN 912

Stainless Steel AISI 304

Hexagon nuts DIN 985

Stainless Steel AISI 304



### INFORMATION

The clamping bores of GN 166 off-set base plate connector clamps are not machined and specially designed for construction tubes GN 990 (see page 1902) or DIN 2391, DIN 2395 and DIN 2462 respectively.

The square designs are also suitable for use in **profile systems**.

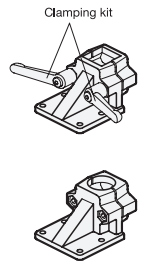
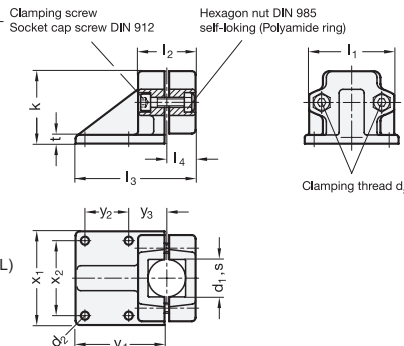
The standard version of the clamping screws are socket cap screws with hexagonal socket DIN 912. They can be replaced by clamping kits GN 911 (see page 1874) (article code see table of dimensions).

### ACCESSORY

- Clamping kits GN 911 (see page 1874)

### TECHNICAL INFORMATION

- Stainless Steel characteristics (see page A26)



\* Complete with colour index of the Off-set base plate connector clamps (SW or BL)

<b>SW</b>	<b>BL</b>
RAL9005	blank

### GN 166

Description	d1	s	d2	d3	k	l1	l2	l3	l4	t	x1	x2	y1	y2	y3	Clamping kits for d3	△
GN 166-B20-2-*	B 20	-	7	M 8	58	69	46	96	23	7	75	60	72	35	30	GN 911-M8-40	297
GN 166-B25-2-*	B 25	-	7	M 8	58	69	46	96	23	7	75	60	72	35	30	GN 911-M8-40	291
GN 166-B30-2-*	B 30	-	7	M 8	58	69	46	96	23	7	75	60	72	35	30	GN 911-M8-40	286
GN 166-B40-2-*	B 40	-	11	M 10	91	98	70	145	35	14	115	90	108	50	45	GN 911-M10-63	870
GN 166-B42-2-*	B 42	-	11	M 10	91	98	70	145	35	14	115	90	108	50	45	GN 911-M10-63	850
GN 166-B45-2-*	B 45	-	11	M 10	91	98	70	145	35	14	115	90	108	50	45	GN 911-M10-63	840
GN 166-B48-2-*	B 48	-	11	M 10	91	98	70	145	35	14	115	90	108	50	45	GN 911-M10-63	830
GN 166-B50-2-*	B 50	-	11	M 10	91	98	70	145	35	14	115	90	108	50	45	GN 911-M10-63	815
GN 166-V20-2-*	-	V 20	7	M 8	58	69	46	96	23	7	75	60	72	35	30	GN 911-M8-40	290
GN 166-V25-2-*	-	V 25	7	M 8	58	69	46	96	23	7	75	60	72	35	30	GN 911-M8-40	280
GN 166-V30-2-*	-	V 30	7	M 8	58	69	46	96	23	7	75	60	72	35	30	GN 911-M8-40	270
GN 166-V40-2-*	-	V 40	11	M 10	91	98	70	145	35	14	115	90	108	50	45	GN 911-M10-63	840
GN 166-V45-2-*	-	V 45	11	M 10	91	98	70	145	35	14	115	90	108	50	45	GN 911-M10-63	815
GN 166-V50-2-*	-	V 50	11	M 10	91	98	70	145	35	14	115	90	108	50	45	GN 911-M10-63	775

Weight BL