

Angle Brackets

Zinc Die Casting, for Aluminum Profiles
(i-Modular System), with or without Accessory

SPECIFICATION

Types

- Type **A**: Without accessory
- Type **C**: With fastening set and cover cap

Angle bracket
Zinc die casting
Painted, white aluminum **ZW**

Screws and T-Nuts (only for Type C)
Steel, zinc plated, blue passivated **SZ**

Cover cap (only for Type C)
Plastic (Polyamide PA)
Black **S**



INFORMATION

Angle brackets GN 30i fasten aluminum profiles to objects such as tables and panels or at right angles to each other. Machining of the profile is not necessary.

The connection can be freely positioned and slid along the slot. To fasten the angle brackets to a panel or transversely to an aluminum profile, the guide steps must be broken off.

The cover caps ensure a visually appealing appearance and simplify cleaning (type C).

Assembly Options / Application Examples

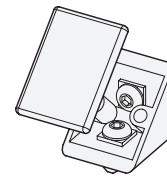
ACCESSORY (ONLY FOR TYPE A)

- T-Nuts GN 50i (see page)

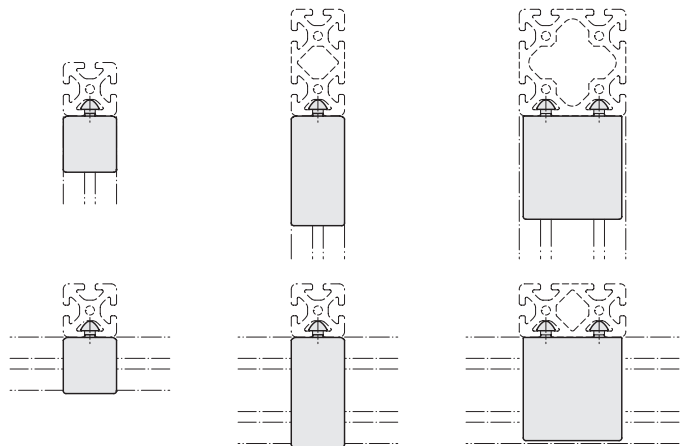
TECHNICAL INFORMATION

- Plastic Characteristics (see page A2)

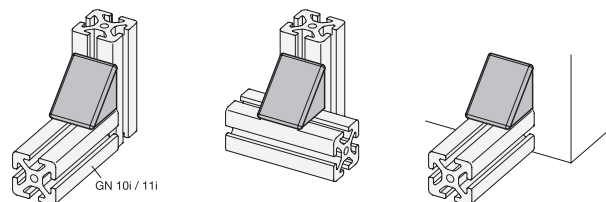
Assembly of cover cap

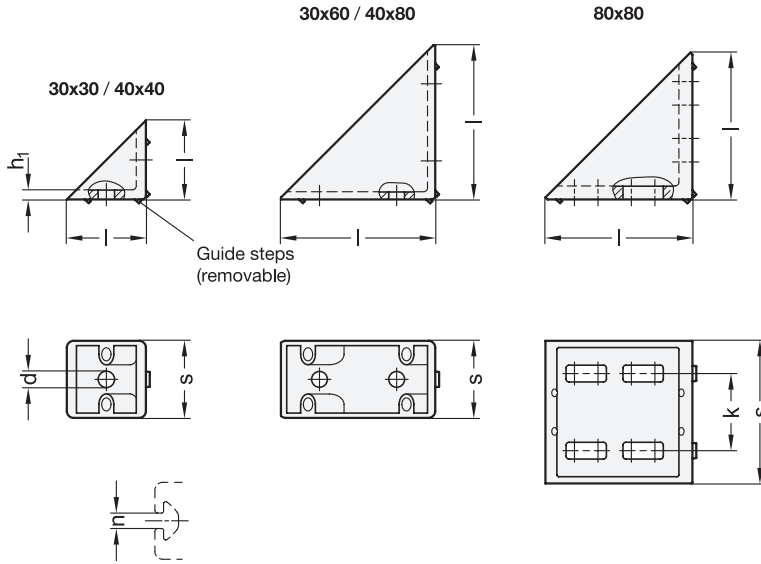


Use



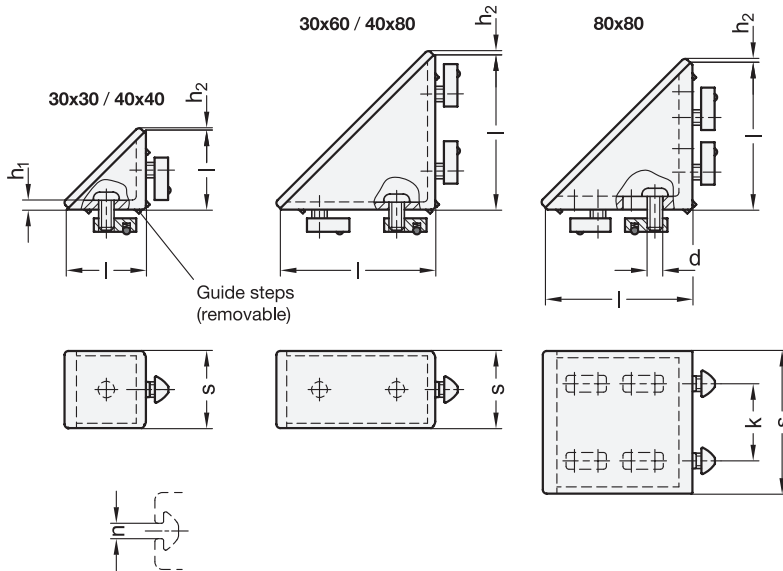
Application examples





GN 30i-A-ZW

Description	s Nominal dimension	s Actual dimension	Length l Nominal dimension	Length l Actual dimension	n	d For screw	h ₁	k	⚖
GN 30i-30306-A-ZW	30	30	30	30	6	M 6	2.5	-	47
GN 30i-30606-A-ZW	30	30	60	60	6	M 6	3.5	-	130
GN 30i-40408-A-ZW	40	40	40	40	8	M 8	5	-	85
GN 30i-40808-A-ZW	40	40	80	80	8	M 8	5	-	271
GN 30i-80808-A-ZW	80	74	80	76	8	M 8	8	40	407



GN 30i-C-ZWSZS

Description	s Nominal dimension	s Actual dimension	Length l Nominal dimension	Length l Actual dimension	n	d	h ₁	h ₂ ≈	k	⚖
GN 30i-30306-C-ZWSZS	30	30	30	30	6	M 6	2.5	2	-	52
GN 30i-30606-C-ZWSZS	30	30	60	60	6	M 6	3.5	2	-	166
GN 30i-40408-C-ZWSZS	40	40	40	40	8	M 8	5	2	-	158
GN 30i-40808-C-ZWSZS	40	40	80	80	8	M 8	5	2	-	355
GN 30i-80808-C-ZWSZS	80	74	80	76	8	M 8	8	7	40	575

