

Latches

SPECIFICATION

Types

- Type **SG**: with star knob
- Type **GB**: with threaded bolt

Star knob DIN 6336
Plastic (Polyamide PA)
black, matt

Cam latch
Sheet Steel
zinc plated, blue passivated

Bolt and distance piece
Steel
zinc plated, blue passivated

INFORMATION

Latches GN 117 are vibration proof and they have a pulling-in range of 10 mm. Locking is achieved by turning the knob clockwise.

Attention is drawn to its simple and hence cost saving installation. Type GB (with threaded bolt) has been introduced to accept other types of handles besides the star knob.

TECHNICAL INFORMATION

- List of latch types (see page 1456)
- Plastic characteristics (see page A2)

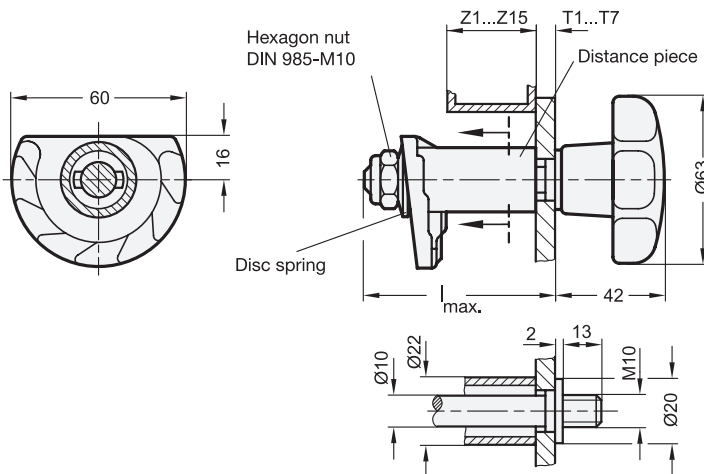
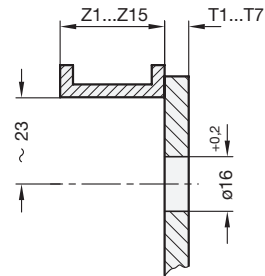
CONSTRUCTION AND ASSEMBLY INSTRUCTIONS

By turning the latch clockwise the stepped and spring loaded cam latch moves up behind the door frame and pulls the door in.

The large pulling-in range of the cam (10 mm) allows these locks to be used successfully on doors with sealing strips. When selecting distance „Z“ the thickness of the door seal might have to be taken into consideration. The spring loaded cam (disc spring) prevents the door from opening under vibration.

A hole of 16 mm \varnothing is required in the door at a distance of 23 mm from door frame to hole centre. The bolt is inserted from the front. The distance piece, cam latch and disc springs follow on the shaft on the inside in that sequence.

The self-locking nut is fitted with a torque to allow free movement of the latch.



GN 117

T+Z	l max.
≤ 13.5	31
≤ 18	35.5
≤ 22.5	40
≤ 27	44.5
≤ 31.5	49
≤ 36	53.5
≤ 40.5	58
≤ 45	62.5
≤ 49.5	67
≤ 54	71.5
≤ 58.5	76
≤ 63	80.5

* Complete with type index of the latch

SG with star knob **GB** with threaded bolt

GN 117

Description	Door thickness	Door frame thickness	Weight
GN 117*-T1-Z1	1.5-3	0-9	94
GN 117*-T1-Z2	1.5-3	3-12	99
GN 117*-T1-Z3	1.5-3	6-15	101
GN 117*-T1-Z4	1.5-3	9-18	105
GN 117*-T1-Z5	1.5-3	12-21	111
GN 117*-T1-Z6	1.5-3	15-24	112
GN 117*-T1-Z7	1.5-3	18-28	115
GN 117*-T1-Z8	1.5-3	21-30	119
GN 117*-T1-Z9	1.5-3	24-33	121
GN 117*-T1-Z10	1.5-3	27-36	125
GN 117*-T1-Z11	1.5-3	30-39	129
GN 117*-T1-Z12	1.5-3	33-42	133
GN 117*-T1-Z13	1.5-3	36-45	135
GN 117*-T1-Z14	1.5-3	39-48	139
GN 117*-T1-Z15	1.5-3	42-51	141
GN 117*-T2-Z1	3-4.5	0-9	94
GN 117*-T2-Z2	3-4.5	3-12	99
GN 117*-T2-Z3	3-4.5	6-15	104
GN 117*-T2-Z4	3-4.5	9-18	105
GN 117*-T2-Z5	3-4.5	12-21	111
GN 117*-T2-Z6	3-4.5	15-24	115
GN 117*-T2-Z7	3-4.5	18-28	115
GN 117*-T2-Z8	3-4.5	21-30	119
GN 117*-T2-Z9	3-4.5	24-33	123
GN 117*-T2-Z10	3-4.5	27-36	125
GN 117*-T2-Z11	3-4.5	30-39	129
GN 117*-T2-Z12	3-4.5	33-42	133
GN 117*-T2-Z13	3-4.5	36-45	135
GN 117*-T2-Z14	3-4.5	39-48	139
GN 117*-T2-Z15	3-4.5	42-51	143
GN 117*-T3-Z1	4.5-6	0-9	97
GN 117*-T3-Z2	4.5-6	3-12	99
GN 117*-T3-Z3	4.5-6	6-15	104
GN 117*-T3-Z4	4.5-6	9-18	107
GN 117*-T3-Z5	4.5-6	12-21	111
GN 117*-T3-Z6	4.5-6	15-24	115
GN 117*-T3-Z7	4.5-6	18-28	118
GN 117*-T3-Z8	4.5-6	21-30	119
GN 117*-T3-Z9	4.5-6	24-33	123
GN 117*-T3-Z10	4.5-6	27-36	128
GN 117*-T3-Z11	4.5-6	30-39	129
GN 117*-T3-Z12	4.5-6	33-42	133
GN 117*-T3-Z13	4.5-6	36-45	138
GN 117*-T3-Z14	4.5-6	39-48	139
GN 117*-T3-Z15	4.5-6	42-51	143
GN 117*-T4-Z1	6-7.5	0-9	97
GN 117*-T4-Z2	6-7.5	3-12	102
GN 117*-T4-Z3	6-7.5	6-15	104
GN 117*-T4-Z4	6-7.5	9-18	107
GN 117*-T4-Z5	6-7.5	12-21	114
GN 117*-T4-Z6	6-7.5	15-24	115
GN 117*-T4-Z7	6-7.5	18-28	118
GN 117*-T4-Z8	6-7.5	21-30	121

GN 117

Description	Door thickness	Door frame thickness	Weight
GN 117*-T4-Z9	6-7.5	24-33	123
GN 117*-T4-Z10	6-7.5	27-36	128
GN 117*-T4-Z11	6-7.5	30-39	132
GN 117*-T4-Z12	6-7.5	33-42	133
GN 117*-T4-Z13	6-7.5	36-45	138
GN 117*-T4-Z14	6-7.5	39-48	141
GN 117*-T4-Z15	6-7.5	42-51	143
GN 117*-T5-Z1	7.5-9	0-9	97
GN 117*-T5-Z2	7.5-9	3-12	102
GN 117*-T5-Z3	7.5-9	6-15	106
GN 117*-T5-Z4	7.5-9	9-18	107
GN 117*-T5-Z5	7.5-9	12-21	114
GN 117*-T5-Z6	7.5-9	15-24	118
GN 117*-T5-Z7	7.5-9	18-28	118
GN 117*-T5-Z8	7.5-9	21-30	121
GN 117*-T5-Z9	7.5-9	24-33	126
GN 117*-T5-Z10	7.5-9	27-36	128
GN 117*-T5-Z11	7.5-9	30-39	132
GN 117*-T5-Z12	7.5-9	33-42	136
GN 117*-T5-Z13	7.5-9	36-45	138
GN 117*-T5-Z14	7.5-9	39-48	141
GN 117*-T5-Z15	7.5-9	42-51	146
GN 117*-T6-Z1	9-10.5	0-9	100
GN 117*-T6-Z2	9-10.5	3-12	102
GN 117*-T6-Z3	9-10.5	6-15	106
GN 117*-T6-Z4	9-10.5	9-18	114
GN 117*-T6-Z5	9-10.5	12-21	115
GN 117*-T6-Z6	9-10.5	15-24	118
GN 117*-T6-Z7	9-10.5	18-28	121
GN 117*-T6-Z8	9-10.5	21-30	123
GN 117*-T6-Z9	9-10.5	24-33	128
GN 117*-T6-Z10	9-10.5	27-36	131
GN 117*-T6-Z11	9-10.5	30-39	132
GN 117*-T6-Z12	9-10.5	33-42	136
GN 117*-T6-Z13	9-10.5	36-45	140
GN 117*-T6-Z14	9-10.5	39-48	141
GN 117*-T6-Z15	9-10.5	42-51	144
GN 117*-T7-Z1	10.5-12	0-9	100
GN 117*-T7-Z2	10.5-12	3-12	104
GN 117*-T7-Z3	10.5-12	6-15	109
GN 117*-T7-Z4	10.5-12	9-18	110
GN 117*-T7-Z5	10.5-12	12-21	117
GN 117*-T7-Z6	10.5-12	15-24	118
GN 117*-T7-Z7	10.5-12	18-28	120
GN 117*-T7-Z8	10.5-12	21-30	125
GN 117*-T7-Z9	10.5-12	24-33	128
GN 117*-T7-Z10	10.5-12	27-36	131
GN 117*-T7-Z11	10.5-12	30-39	135
GN 117*-T7-Z12	10.5-12	33-42	136
GN 117*-T7-Z13	10.5-12	36-45	139
GN 117*-T7-Z14	10.5-12	39-48	144
GN 117*-T7-Z15	10.5-12	42-51	146

Weight type GB



Latches 13