

Push-pull type toggle clamps

for push-pull clamping

SPECIFICATION

Types

- Type **ASD**: Clamping by turning handle counter-clockwise
- Type **ASS**: Clamping by turning handle clockwise

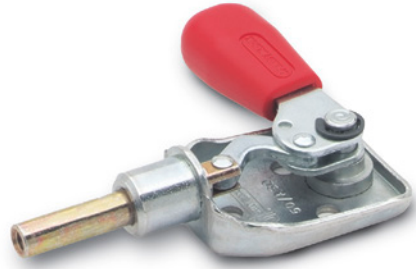
Parts in sheet metal
Case-hardened Steel C10
zinc plated, blue passivated

Plunger
Steel St 37
zinc plated, blue passivated

Plunger guide bushing
Steel St 37
zinc plated, blue passivated

All moving parts
lubricated with special grease

Hand grip
High quality, oil resistant red plastic



INFORMATION

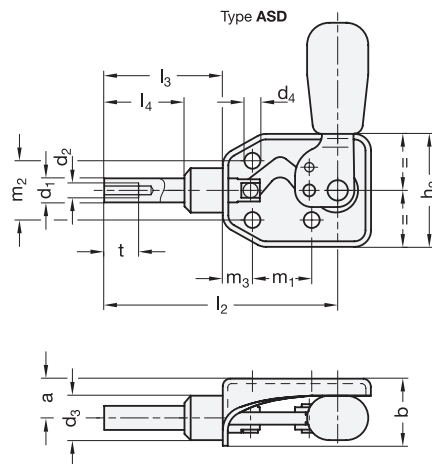
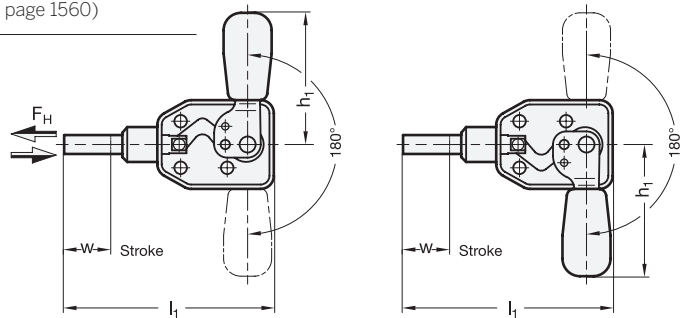
GN 840 push-pull type toggle clamps are known for their extremely low height regardless of the position of the operating handle.

- General information for toggle clamps (see page 1560)

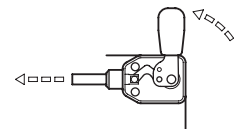


ACCESSORY

- Spindle assemblies (see page 1623)



Operating principle



Type ASS is mirror image of type ASD

GN 840

Description	Size	FH in N	a	b	d1	d2	d3	d4	h1 ≈	h2	l1 ≈	l2 ≈	l3 ≈	l4 ≈	m1	m2	m3	t min.	w	
GN 840-50-ASD	50	800	10	17.5	6.5	M 4	12	4.3	45.2	30.5	73	64.5	33	21	16	16	8	9	16	60
GN 840-50-ASS	50	800	10	17.5	6.5	M 4	12	4.3	45.2	30.5	73	64.5	33	21	16	16	8	9	16	60