

Toggle clamp spindle assemblies

Steel / Stainless Steel, with rubber pressure pad

SPECIFICATION

Types

- Type **A**: Flat spindle tip
- Type **B**: Rounded pressure pad

Version in Steel ST

Screw
Steel zinc plated, blue passivated
Hexagon nuts ISO 4035
Steel zinc plated, blue passivated

Version in Stainless Steel NI

Spindle
Stainless Steel AISI 304
Hexagon nuts ISO 4035
Stainless Steel AISI 304
Pressure pad
Rubber, Neoprene (CR)

- 85 Shore A ≈
- vulcanized
- black

INFORMATION

The two hexagon nuts are included parts of the order.

TECHNICAL INFORMATION

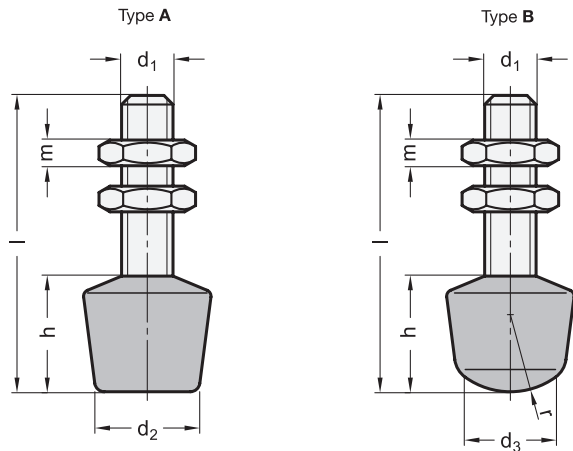
- Stainless Steel characteristics (see page A26)
- Elastomer characteristics (see page A32)

* Complete with type index of the toggle clamp spindle assemblies

A	B
Flat spindle tip	Rounded spindle tip

GN 708.1

Description	d1	l	d2	d3	h	m	r	⚖
GN 708.1-M4-30-*-ST	M 4	30	8	9,8	5	2,2	6	5
GN 708.1-M4-33-*-ST	M 4	33	8	8	10	2,2	6	6
GN 708.1-M4-43-*-ST	M 4	43	8	8	10	2,2	6	7
GN 708.1-M5-45-*-ST	M 5	45	10	9	11	2,7	8	10
GN 708.1-M5-55-*-ST	M 5	55	10	9	11	2,7	8	11
GN 708.1-M6-35-*-ST	M 6	35	13	12	12	3,2	10	13
GN 708.1-M6-55-*-ST	M 6	55	13	12	12	3,2	10	16
GN 708.1-M6-65-*-ST	M 6	65	13	12	12	3,2	10	18
GN 708.1-M8-43-*-ST	M 8	43	16	14	18	4	12	29
GN 708.1-M8-68-*-ST	M 8	68	16	14	18	4	12	35
GN 708.1-M10-50-*-ST	M 10	50	20	18	21	5	15	52
GN 708.1-M10-77-*-ST	M 10	77	20	18	21	5	15	60
GN 708.1-M10-97-*-ST	M 10	97	20	18	21	5	15	74
GN 708.1-M12-100-*-ST	M 12	100	25	23	24	6	18	111
GN 708.1-M12-130-*-ST	M 12	130	25	23	24	6	18	132



GN 708.1-NI

STAINLESS STEEL

Description	d1	l	d2	d3	h	m	r	⚖
GN 708.1-M4-30-*-NI	M 4	30	8	9,8	5	2,2	6	12
GN 708.1-M4-33-*-NI	M 4	33	8	8	10	2,2	6	13
GN 708.1-M4-43-*-NI	M 4	43	8	8	10	2,2	6	9
GN 708.1-M5-45-*-NI	M 5	45	10	9	11	2,7	8	10
GN 708.1-M5-55-*-NI	M 5	55	10	9	11	2,7	8	11
GN 708.1-M6-35-*-NI	M 6	35	13	12	12	3,2	10	13
GN 708.1-M6-55-*-NI	M 6	55	13	12	12	3,2	10	17
GN 708.1-M6-65-*-NI	M 6	65	13	12	12	3,2	10	19
GN 708.1-M8-43-*-NI	M 8	43	16	14	18	4	12	27
GN 708.1-M8-68-*-NI	M 8	68	16	14	18	4	12	34
GN 708.1-M10-50-*-NI	M 10	50	20	18	21	5	15	52
GN 708.1-M10-77-*-NI	M 10	77	20	18	21	5	15	65
GN 708.1-M10-97-*-NI	M 10	97	20	18	21	5	15	74
GN 708.1-M12-100-*-NI	M 12	100	25	23	24	6	18	109
GN 708.1-M12-130-*-NI	M 12	130	25	23	24	6	18	133

Weight type A

