

## Trapezoidal Lead Nuts

Gunmetal, Single- or Multi-Start, with Flange

### SPECIFICATION

#### Lead direction

- **RH:** Right-hand thread
- **LH:** Left-hand thread

Gunmetal (Rg7) **RG**

### INFORMATION

Trapezoidal lead nuts GN 103.1 are used together with trapezoidal lead screws GN 103. They can be fastened to the component to be adjusted via the bores in the flange. The centering step  $d_2$  is used to position the nut.

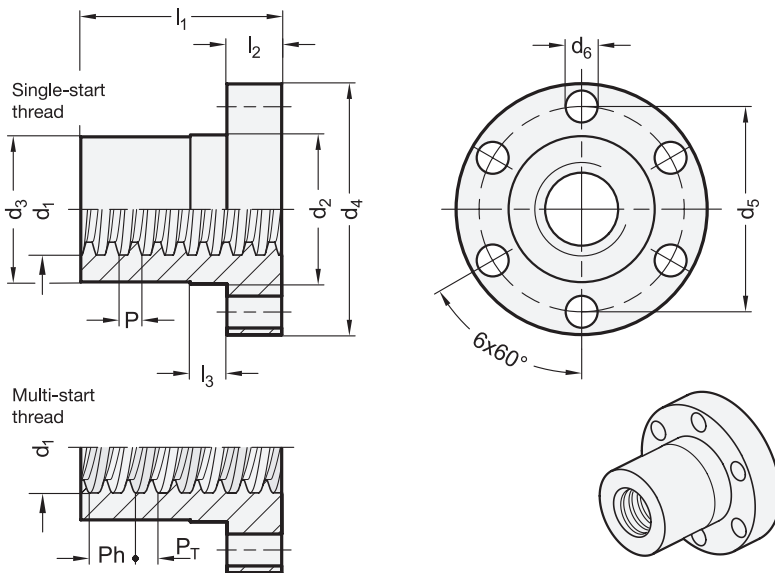
The trapezoidal lead nuts should be lubricated to minimize wear. However, if lubrication is insufficient, the bronze alloy (gunmetal) generally has emergency running properties.

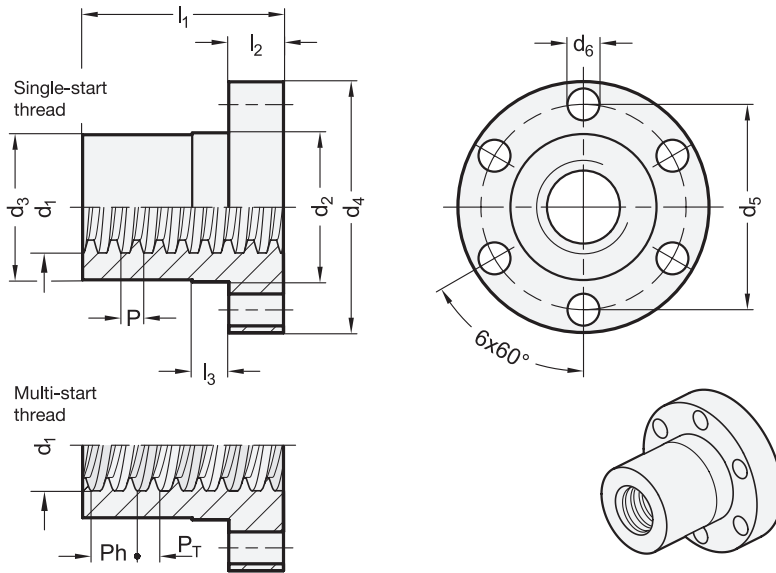
### ACCESSORY

- Trapezoidal Lead Screws GN 103 (see page )

### TECHNICAL INFORMATION

- Trapezoidal Lead Screws (see page )





GN 103.1

Description	d <sub>1</sub> x P Single-start	d <sub>1</sub> x Ph Multi-start	P <sub>T</sub> Pitch	Number of thread turns Ph / P <sub>T</sub>	d <sub>2</sub> h <sub>9</sub>	d <sub>3</sub> -0.2/ -0.3	d <sub>4</sub>	d <sub>5</sub>	d <sub>6</sub>	l <sub>1</sub>	l <sub>2</sub>	l <sub>3</sub>	⚖
GN 103.1-8x1,5-RH-RG	8 x 1,5	-	-	-	18	18	35	26	3,5	20	7	6	150
GN 103.1-8x1,5-LH-RG	8 x 1,5	-	-	-	18	18	35	26	3,5	20	7	6	150
GN 103.1-10x2-RH-RG	10 x 2	-	-	-	25	25	42	34	5	25	10	6	200
GN 103.1-10x2-LH-RG	10 x 2	-	-	-	25	25	42	34	5	25	10	6	200
GN 103.1-10x3-RH-RG	10 x 3	-	-	-	25	25	42	34	5	25	10	6	200
GN 103.1-10x3-LH-RG	10 x 3	-	-	-	25	25	42	34	5	25	10	6	200
GN 103.1-12x3-RH-RG	12 x 3	-	-	-	28	28	48	38	6	28	12	8	240
GN 103.1-12x3-LH-RG	12 x 3	-	-	-	28	28	48	38	6	28	12	8	240
GN 103.1-14x4-RH-RG	14 x 4	-	-	-	28	28	48	38	6	35	12	8	280
GN 103.1-14x4-LH-RG	14 x 4	-	-	-	28	28	48	38	6	35	12	8	280
GN 103.1-16x4-RH-RG	16 x 4	-	-	-	28	28	48	38	6	44	12	8	280
GN 103.1-16x4-LH-RG	16 x 4	-	-	-	28	28	48	38	6	44	12	8	280
GN 103.1-18x4-RH-RG	18 x 4	-	-	-	28	28	48	38	6	44	12	8	260
GN 103.1-18x4-LH-RG	18 x 4	-	-	-	28	28	48	38	6	44	12	8	260
GN 103.1-20x4-RH-RG	20 x 4	-	-	-	32	32	55	45	7	44	12	8	350
GN 103.1-20x4-LH-RG	20 x 4	-	-	-	32	32	55	45	7	44	12	8	350
GN 103.1-24x5-RH-RG	24 x 5	-	-	-	32	32	55	45	7	44	12	8	300
GN 103.1-24x5-LH-RG	24 x 5	-	-	-	32	32	55	45	7	44	12	8	300
GN 103.1-30x6-RH-RG	30 x 6	-	-	-	38	38	62	50	7	46	14	8	420
GN 103.1-30x6-LH-RG	30 x 6	-	-	-	38	38	62	50	7	46	14	8	420
GN 103.1-36x6-RH-RG	36 x 6	-	-	-	45	45	70	58	7	59	16	10	640
GN 103.1-36x6-LH-RG	36 x 6	-	-	-	45	45	70	58	7	59	16	10	640
GN 103.1-40x7-RH-RG	40 x 7	-	-	-	63	63	95	78	9	73	16	10	1820
GN 103.1-40x7-LH-RG	40 x 7	-	-	-	63	63	95	78	9	73	16	10	1820
GN 103.1-50x8-RH-RG	50 x 8	-	-	-	72	72	110	90	11	97	18	10	2800
GN 103.1-50x8-LH-RG	50 x 8	-	-	-	72	72	110	90	11	97	18	10	2800
GN 103.1-12x6-RH-RG	-	12 x 6	P3	2	28	28	48	38	6	28	12	8	240
GN 103.1-16x8-RH-RG	-	16 x 8	P4	2	28	28	48	38	6	44	12	8	280
GN 103.1-20x8-RH-RG	-	20 x 8	P4	2	32	32	55	45	7	44	12	8	350
GN 103.1-24x10-RH-RG	-	24 x 10	P5	2	32	32	55	45	7	44	12	8	300
GN 103.1-30x12-RH-RG	-	30 x 12	P6	2	38	38	62	50	7	46	14	8	420
GN 103.1-40x14-RH-RG	-	40 x 14	P7	2	63	63	95	78	9	73	16	10	1820

