

## Trapezoidal Lead Nuts

Steel / Stainless Steel / Gunmetal / Plastic,  
Single- or Multi-Start, Cylindrical

### SPECIFICATION

#### Lead direction

- **RH:** Right-hand thread
- **LH:** Left-hand thread

#### Identification no.

- No. **1:** Short version (Material ST / NI)
- No. **2:** Long version (Material ST / RG / POM)

Steel 1.0718 **ST**

Stainless steel AISI 303 **NI**

Gunmetal (Rg7) **RG**

Plastic, Polyacetal **POM**

- White
- Temperature resistant up to 90 °C



### INFORMATION

Trapezoidal lead nuts GN 103.3 are used together with trapezoidal lead screws GN 103. The nuts are available in various lengths depending on the material and the resulting strength. The nuts can be fastened via individually machined surfaces, grooves or threads on the flat surfaces or on the circumference.

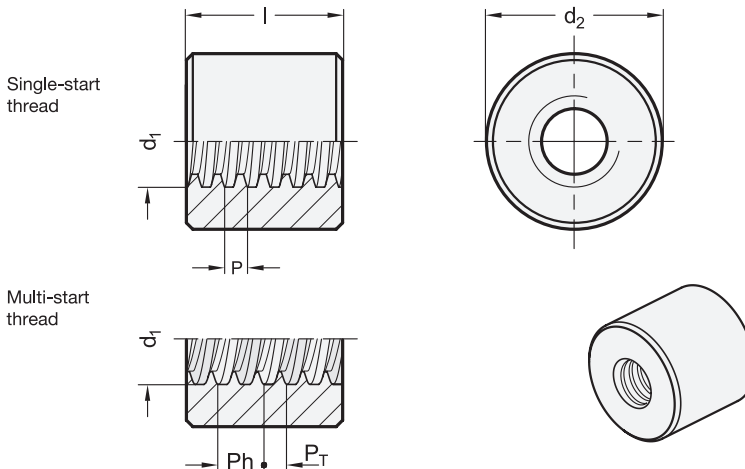
To minimize wear, the trapezoidal lead nuts should be lubricated. However, if lubrication is insufficient, the bronze alloy (gunmetal) generally has emergency running properties. Steel and stainless steel nuts are primarily used for sporadic adjustments.

### ACCESSORY

- Trapezoidal Lead Screws GN 103 (see page )

### TECHNICAL INFORMATION

- Trapezoidal Lead Screws (see page )
- Plastic Characteristics (see page A2)
- Stainless Steel Characteristics (see page A26)

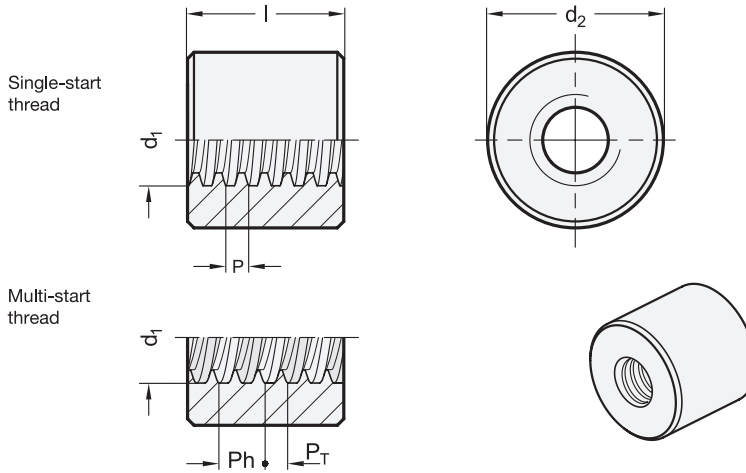


### GN 103.3-ST

Description	d <sub>1</sub> x P Single-start	d <sub>1</sub> x Ph Multi-start	P <sub>T</sub> Pitch	Number of thread turns Ph / P <sub>T</sub>	d <sub>2</sub>	Length l Identification no. 1	Length l Identification no. 2	⚖️
GN 103.3-8x1,5-RH-1-ST	8 x 1,5	-	-	-	18	12	-	40
GN 103.3-8x1,5-LH-1-ST	8 x 1,5	-	-	-	18	12	-	40
GN 103.3-8x1,5-RH-2-ST	8 x 1,5	-	-	-	18	-	16	60
GN 103.3-8x1,5-LH-2-ST	8 x 1,5	-	-	-	18	-	16	60
GN 103.3-10x2-RH-1-ST	10 x 2	-	-	-	22	15	-	40
GN 103.3-10x2-LH-1-ST	10 x 2	-	-	-	22	15	-	40
GN 103.3-10x2-RH-2-ST	10 x 2	-	-	-	22	-	20	60
GN 103.3-10x2-LH-2-ST	10 x 2	-	-	-	22	-	20	60
GN 103.3-10x3-RH-1-ST	10 x 3	-	-	-	22	15	-	40
GN 103.3-10x3-LH-1-ST	10 x 3	-	-	-	22	15	-	40
GN 103.3-10x3-RH-2-ST	10 x 3	-	-	-	22	-	20	60
GN 103.3-10x3-LH-2-ST	10 x 3	-	-	-	22	-	20	60
GN 103.3-12x3-RH-1-ST	12 x 3	-	-	-	26	18	-	60
GN 103.3-12x3-LH-1-ST	12 x 3	-	-	-	26	18	-	60
GN 103.3-12x3-RH-2-ST	12 x 3	-	-	-	26	-	24	80
GN 103.3-12x3-LH-2-ST	12 x 3	-	-	-	26	-	24	80
GN 103.3-14x4-RH-1-ST	14 x 4	-	-	-	30	21	-	100
GN 103.3-14x4-LH-1-ST	14 x 4	-	-	-	30	21	-	100
GN 103.3-14x4-RH-2-ST	14 x 4	-	-	-	30	-	28	120
GN 103.3-14x4-LH-2-ST	14 x 4	-	-	-	30	-	28	120
GN 103.3-16x4-RH-1-ST	16 x 4	-	-	-	36	24	-	160
GN 103.3-16x4-LH-1-ST	16 x 4	-	-	-	36	24	-	160
GN 103.3-16x4-RH-2-ST	16 x 4	-	-	-	36	-	32	220
GN 103.3-16x4-LH-2-ST	16 x 4	-	-	-	36	-	32	220
GN 103.3-18x4-RH-1-ST	18 x 4	-	-	-	40	27	-	220
GN 103.3-18x4-LH-1-ST	18 x 4	-	-	-	40	27	-	220
GN 103.3-18x4-RH-2-ST	18 x 4	-	-	-	40	-	36	320
GN 103.3-18x4-LH-2-ST	18 x 4	-	-	-	40	-	36	320
GN 103.3-20x4-RH-1-ST	20 x 4	-	-	-	45	30	-	320
GN 103.3-20x4-LH-1-ST	20 x 4	-	-	-	45	30	-	320
GN 103.3-20x4-RH-2-ST	20 x 4	-	-	-	45	-	40	420
GN 103.3-20x4-LH-2-ST	20 x 4	-	-	-	45	-	40	420
GN 103.3-24x5-RH-1-ST	24 x 5	-	-	-	50	36	-	440
GN 103.3-24x5-LH-1-ST	24 x 5	-	-	-	50	36	-	440
GN 103.3-24x5-RH-2-ST	24 x 5	-	-	-	50	-	48	600
GN 103.3-24x5-LH-2-ST	24 x 5	-	-	-	50	-	48	600
GN 103.3-30x6-RH-1-ST	30 x 6	-	-	-	60	45	-	780
GN 103.3-30x6-LH-1-ST	30 x 6	-	-	-	60	45	-	780
GN 103.3-30x6-RH-2-ST	30 x 6	-	-	-	60	-	60	1060
GN 103.3-30x6-LH-2-ST	30 x 6	-	-	-	60	-	60	1060
GN 103.3-36x6-RH-1-ST	36 x 6	-	-	-	75	54	-	1480
GN 103.3-36x6-LH-1-ST	36 x 6	-	-	-	75	54	-	1480
GN 103.3-36x6-RH-2-ST	36 x 6	-	-	-	75	-	72	1980
GN 103.3-36x6-LH-2-ST	36 x 6	-	-	-	75	-	72	1980
GN 103.3-40x7-RH-1-ST	40 x 7	-	-	-	80	60	-	1800
GN 103.3-40x7-LH-1-ST	40 x 7	-	-	-	80	60	-	1800
GN 103.3-40x7-RH-2-ST	40 x 7	-	-	-	80	-	80	2440
GN 103.3-40x7-LH-2-ST	40 x 7	-	-	-	80	-	80	2440
GN 103.3-50x8-RH-1-ST	50 x 8	-	-	-	90	75	-	2720
GN 103.3-50x8-LH-1-ST	50 x 8	-	-	-	90	75	-	2720
GN 103.3-50x8-RH-2-ST	50 x 8	-	-	-	90	-	100	3640
GN 103.3-50x8-LH-2-ST	50 x 8	-	-	-	90	-	100	3640
GN 103.3-12x6-RH-1-ST	-	12 x 6	P3	2	26	18	-	60
GN 103.3-12x6-RH-2-ST	-	12 x 6	P3	2	26	-	24	80
GN 103.3-16x8-RH-1-ST	-	16 x 8	P4	2	36	24	-	160
GN 103.3-16x8-RH-2-ST	-	16 x 8	P4	2	36	-	32	220
GN 103.3-20x8-RH-1-ST	-	20 x 8	P4	2	45	30	-	300
GN 103.3-20x8-RH-2-ST	-	20 x 8	P4	2	45	-	40	420
GN 103.3-24x10-RH-1-ST	-	24 x 10	P5	2	50	36	-	440
GN 103.3-24x10-RH-2-ST	-	24 x 10	P5	2	50	-	48	600
GN 103.3-30x12-RH-1-ST	-	30 x 12	P6	2	60	45	-	800
GN 103.3-30x12-RH-2-ST	-	30 x 12	P6	2	60	-	60	1060
GN 103.3-40x14-RH-1-ST	-	40 x 12	P7	2	80	60	-	1800
GN 103.3-40x14-RH-2-ST	-	40 x 12	P7	2	80	-	80	2440



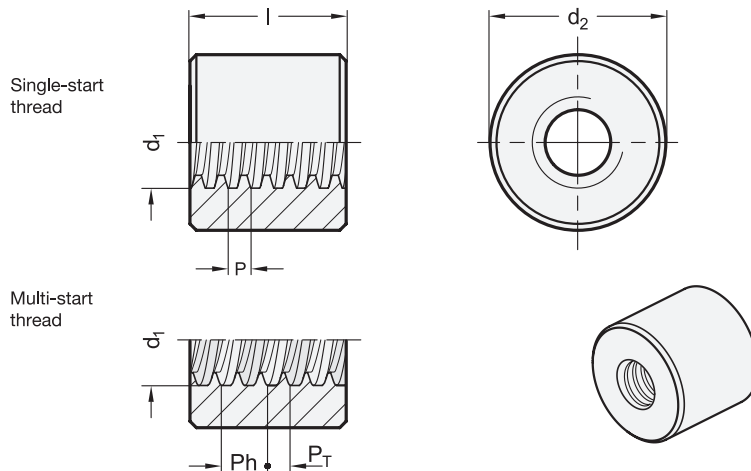
Linear motion components 20



### GN 103.3-NI

**STAINLESS STEEL**

Description	d <sub>1</sub> x P Single-start	d <sub>1</sub> x Ph Multi-start	P <sub>T</sub> Pitch	Number of thread turns Ph / P <sub>T</sub>	d <sub>2</sub>	Length l Identification no. 1	⚖
GN 103.3-8x1,5-RH-1-NI	8 x 1,5	-	-	-	18	12	40
GN 103.3-8x1,5-LH-1-NI	8 x 1,5	-	-	-	18	12	40
GN 103.3-10x2-RH-1-NI	10 x 2	-	-	-	22	15	40
GN 103.3-10x2-LH-1-NI	10 x 2	-	-	-	22	15	40
GN 103.3-10x3-RH-1-NI	10 x 3	-	-	-	22	15	40
GN 103.3-10x3-LH-1-NI	10 x 3	-	-	-	22	15	40
GN 103.3-12x3-RH-1-NI	12 x 3	-	-	-	26	18	60
GN 103.3-12x3-LH-1-NI	12 x 3	-	-	-	26	18	60
GN 103.3-14x4-RH-1-NI	14 x 4	-	-	-	30	21	100
GN 103.3-14x4-LH-1-NI	14 x 4	-	-	-	30	21	100
GN 103.3-16x4-RH-1-NI	16 x 4	-	-	-	36	24	160
GN 103.3-16x4-LH-1-NI	16 x 4	-	-	-	36	24	160
GN 103.3-18x4-RH-1-NI	18 x 4	-	-	-	40	27	220
GN 103.3-18x4-LH-1-NI	18 x 4	-	-	-	40	27	220
GN 103.3-20x4-RH-1-NI	20 x 4	-	-	-	45	30	320
GN 103.3-20x4-LH-1-NI	20 x 4	-	-	-	45	30	320
GN 103.3-24x5-RH-1-NI	24 x 5	-	-	-	50	36	440
GN 103.3-24x5-LH-1-NI	24 x 5	-	-	-	50	36	440
GN 103.3-30x6-RH-1-NI	30 x 6	-	-	-	60	45	780
GN 103.3-30x6-LH-1-NI	30 x 6	-	-	-	60	45	780
GN 103.3-36x6-RH-1-NI	36 x 6	-	-	-	75	54	1480
GN 103.3-36x6-LH-1-NI	36 x 6	-	-	-	75	54	1480
GN 103.3-40x7-RH-1-NI	40 x 7	-	-	-	80	60	1800
GN 103.3-40x7-LH-1-NI	40 x 7	-	-	-	80	60	1800
GN 103.3-50x8-RH-1-NI	50 x 8	-	-	-	90	75	2720
GN 103.3-50x8-LH-1-NI	50 x 8	-	-	-	90	75	2720
GN 103.3-12x6-RH-1-NI	-	12 x 6	P3	2	26	18	60
GN 103.3-16x8-RH-1-NI	-	16 x 8	P4	2	36	24	160
GN 103.3-20x8-RH-1-NI	-	20 x 8	P4	2	45	30	300
GN 103.3-24x10-RH-1-NI	-	24 x 10	P5	2	50	36	440
GN 103.3-30x12-RH-1-NI	-	30 x 12	P6	2	60	45	800
GN 103.3-40x14-RH-1-NI	-	40 x 14	P7	2	80	60	1800

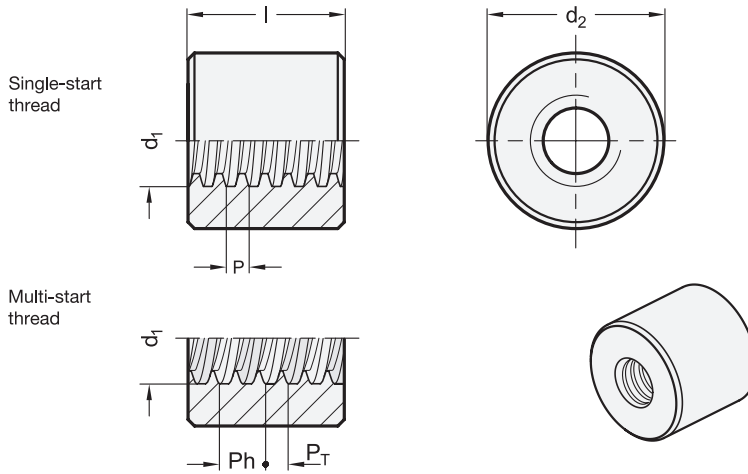


### GN 103.3-RG

Description	d <sub>1</sub> x P Single-start	d <sub>1</sub> x Ph Multi-start	P <sub>T</sub> Pitch	Number of thread turns Ph / P <sub>T</sub>	d <sub>2</sub>	Length l Identification no. 2	⚖
GN 103.3-8x1,5-RH-2-RG	8 x 1,5	-	-	-	18	16	60
GN 103.3-8x1,5-LH-2-RG	8 x 1,5	-	-	-	18	16	60
GN 103.3-10x2-RH-2-RG	10 x 2	-	-	-	22	20	60
GN 103.3-10x2-LH-2-RG	10 x 2	-	-	-	22	20	60
GN 103.3-10x3-RH-2-RG	10 x 3	-	-	-	22	20	60
GN 103.3-10x3-LH-2-RG	10 x 3	-	-	-	22	20	60
GN 103.3-12x3-RH-2-RG	12 x 3	-	-	-	26	24	80
GN 103.3-12x3-LH-2-RG	12 x 3	-	-	-	26	24	80
GN 103.3-14x4-RH-2-RG	14 x 4	-	-	-	30	28	120
GN 103.3-14x4-LH-2-RG	14 x 4	-	-	-	30	28	120
GN 103.3-16x4-RH-2-RG	16 x 4	-	-	-	36	32	220
GN 103.3-16x4-LH-2-RG	16 x 4	-	-	-	36	32	220
GN 103.3-18x4-RH-2-RG	18 x 4	-	-	-	40	36	320
GN 103.3-18x4-LH-2-RG	18 x 4	-	-	-	40	36	320
GN 103.3-20x4-RH-2-RG	20 x 4	-	-	-	45	40	420
GN 103.3-20x4-LH-2-RG	20 x 4	-	-	-	45	40	420
GN 103.3-24x5-RH-2-RG	24 x 5	-	-	-	50	48	600
GN 103.3-24x5-LH-2-RG	24 x 5	-	-	-	50	48	600
GN 103.3-30x6-RH-2-RG	30 x 6	-	-	-	60	60	1060
GN 103.3-30x6-LH-2-RG	30 x 6	-	-	-	60	60	1060
GN 103.3-36x6-RH-2-RG	36 x 6	-	-	-	75	72	1980
GN 103.3-36x6-LH-2-RG	36 x 6	-	-	-	75	72	1980
GN 103.3-40x7-RH-2-RG	40 x 7	-	-	-	80	80	2440
GN 103.3-40x7-LH-2-RG	40 x 7	-	-	-	80	80	2440
GN 103.3-50x8-RH-2-RG	50 x 8	-	-	-	90	100	3640
GN 103.3-50x8-LH-2-RG	50 x 8	-	-	-	90	100	3640
GN 103.3-12x6-RH-2-RG	-	12 x 6	P3	2	26	24	80
GN 103.3-16x8-RH-2-RG	-	16 x 8	P4	2	36	32	220
GN 103.3-20x8-RH-2-RG	-	20 x 8	P4	2	45	40	420
GN 103.3-24x10-RH-2-RG	-	24 x 10	P5	2	50	48	600
GN 103.3-30x12-RH-2-RG	-	30 x 12	P6	2	60	60	1060
GN 103.3-40x14-RH-2-RG	-	40 x 14	P7	2	80	80	2440



Linear motion components 20



GN 103.3-POM

Description	d1 x P Single-start	d1 x Ph Multi-start	Pt Pitch	Number of thread turns Ph / Pt	d2	Length l Identification no. 2	⚖
GN 103.3-8x1,5-RH-2-POM	8 x 1,5	-	-	-	18	16	60
GN 103.3-8x1,5-LH-2-POM	8 x 1,5	-	-	-	18	16	60
GN 103.3-10x2-RH-2-POM	10 x 2	-	-	-	22	20	60
GN 103.3-10x2-LH-2-POM	10 x 2	-	-	-	22	20	60
GN 103.3-10x3-RH-2-POM	10 x 3	-	-	-	22	20	60
GN 103.3-10x3-LH-2-POM	10 x 3	-	-	-	22	20	60
GN 103.3-12x3-RH-2-POM	12 x 3	-	-	-	26	24	20
GN 103.3-12x3-LH-2-POM	12 x 3	-	-	-	26	24	20
GN 103.3-14x4-RH-2-POM	14 x 4	-	-	-	30	28	30
GN 103.3-14x4-LH-2-POM	14 x 4	-	-	-	30	28	30
GN 103.3-16x4-RH-2-POM	16 x 4	-	-	-	36	32	40
GN 103.3-16x4-LH-2-POM	16 x 4	-	-	-	36	32	40
GN 103.3-18x4-RH-2-POM	18 x 4	-	-	-	40	36	50
GN 103.3-18x4-LH-2-POM	18 x 4	-	-	-	40	36	50
GN 103.3-20x4-RH-2-POM	20 x 4	-	-	-	45	40	60
GN 103.3-20x4-LH-2-POM	20 x 4	-	-	-	45	40	60
GN 103.3-24x5-RH-2-POM	24 x 5	-	-	-	50	48	80
GN 103.3-24x5-LH-2-POM	24 x 5	-	-	-	50	48	80
GN 103.3-30x6-RH-2-POM	30 x 6	-	-	-	60	60	160
GN 103.3-30x6-LH-2-POM	30 x 6	-	-	-	60	60	160
GN 103.3-36x6-RH-2-POM	36 x 6	-	-	-	75	72	280
GN 103.3-36x6-LH-2-POM	36 x 6	-	-	-	75	72	280
GN 103.3-40x7-RH-2-POM	40 x 7	-	-	-	80	80	360
GN 103.3-40x7-LH-2-POM	40 x 7	-	-	-	80	80	360
GN 103.3-50x8-RH-2-POM	50 x 8	-	-	-	90	100	540
GN 103.3-50x8-LH-2-POM	50 x 8	-	-	-	90	100	540
GN 103.3-12x6-RH-2-POM	-	12 x 6	P3	2	26	24	20
GN 103.3-16x8-RH-2-POM	-	16 x 8	P4	2	36	32	40
GN 103.3-20x8-RH-2-POM	-	20 x 8	P4	2	45	40	60
GN 103.3-24x10-RH-2-POM	-	24 x 10	P5	2	50	48	80
GN 103.3-30x12-RH-2-POM	-	30 x 12	P6	2	60	60	160
GN 103.3-40x14-RH-2-POM	-	40 x 14	P7	2	80	80	360